

TEAC®

SERVICE MANUAL

CTW2850

28" WIDE CTV

CONTENTS

Contents	1
Safety Precautions	2
TV Set switched off	2
Measurements	2
PERI-TV SOCKET	2
SCART 1	2
SCART 2	2
INTRODUCTION	2
SMALL SIGNAL PART WITH TDA884X	2-3
TUNER	4
VIDEO SWITCH TEA6415C	4
AM DEMODULATOR TDA9830	4-5
MULTISTANDART SOUND PROCESSOR MSP34X0D	5
SOUND OUTPUT STAGE TDA2614/TDA2615/TDA2616Q	5
VERTICAL OUTPUT STAGE WITH TDA8351/TDA8356	5
VIDEO OUTPUT AMPLIFIER TDA6108M	5
SINGLE/MULTISTANDARD VIF/SIF-PLL and FM-PLL/AM DEMODULATOR TDA4470	6
COMB FILTER SAA9181	6
POWER SUPPLY (SMPS)	6
MICROCONTROLLER SDA555X	6
SERIAL ACCESS CMOS 8K (1024*8) EEPROM ST24C08	6
CLASS AB STEREO HEADPHONE DRIVER TDA1308	6
SAW FILTERS	6
BTSC STEREO / SAP / DBX-DECODER end AUDIO PROCESSOR TDA9855	6
IC DESCRIPTIONS AND INTERNAL BLOCK DIAGRAM	7
TDA8840/TDA8842/TDA8844	7-8
UV1315/UV1316/UV1336	9-10
TEA6415C	10
TDA9830	10
TDA2614/TDA2615/TDA2616Q	10-11
TDA8351/TDA8356	11
TDA6108M	12
TDA9181	12
TDA44604	13
SDA555X	13-14-15-16
MSP34X0D	16-17
TDA4470	18
ST24C08	19
TDA1308	19
G1965M	19
TDA3430G	19-20
DPL3519A	21-22
SDA9488A	22-23
TDA9886	23
AK19PRO CHASSIS MANUAL ADJUSTMENT PROCEDURE	24
For Adjust Settings	24
WHITE BALANCE ADJUSTMENT	24
AGC ADJUSTMENT	24
IF-PLL NEGATIVE ADJUSTMENT	24
IF-PLL POSITIVE ADJUSTMENT	24
LUMINANCE DELAY ADJUSTMENT	24
VERTICAL ZOOM ADJUSTMENT	25
VERTICAL SCROLL ADJUSTMENT	25
HORIZONTAL SHIFT ADJUSTMENT	25
VERTICAL SLOPE ADJUSTMENT	25
VERTICAL AMPLITUDE ADJUSTMENT	25
S-CORRECTION ADJUSTMENT	25
VERTICAL SHIFT ADJUSTMENT	25
EW WIDTH ADJUSTMENT	25
EW PARABOLA WIDTH ADJUSTMENT	25
EW CORNER PARABOLA ADJUSTMENT	25
EW TRAPEZIUM ADJUSTMENT	25
HORIZONTAL SHIFT ADJUSTMENT	25
VERTICAL SLOPE ADJUSTMENT	25
VERTICAL AMPLITUDE ADJUSTMENT	25
S-CORRECTION ADJUSTMENT	25
VERTICAL SHIFT ADJUSTMENT	25
EW WIDTH ADJUSTMENT	25
EW PARABOLA WIDTH ADJUSTMENT	25
EW CORNER PARABOLA ADJUSTMENT	25
EW TRAPEZIUM ADJUSTMENT	25
For Option Settings	26
OPTION 00 OPTION 60	26-36
AK19PRO CHASSIS ADJUST SETTING (00-65)	37
GENERAL BLOCK DIAGRAM OF CHASSIS AK19PRO	38

DO NOT CHANGE ANY MODULE UNLESS THE SET IS SWITCH OFF

The mains supply side of the switch mode power supply transformer is live.

Use an isolating transformer.

The receivers fulfill completely the safety requirements.

Safety precautions:

Servicing of this TV should only be carried out by a qualified person.

- Components marked with the warning symbol on the circuit diagram are critical for safety and must only be replaced with an identical component.

- Power resistor and fusible resistors must be mounted in an identical manner to the original component.

- When servicing this TV, check that the EHT does not exceed 26kV.

TV Set switched off:

Make short-circuit between HV-CRT clip and CRT ground layer.

Short C804 (150mF) before changing IC802 or other components in primary side of SMPS.

Measurements:

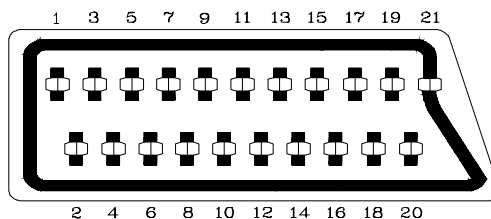
Voltage readings and oscilloscope traces are measured under following conditions.

Antenna signal 60dB from colourbar generator. (100% white, 75% colour saturation)

Brightness, contrast, colour set for a normal picture.

Mains supply, 220VAC, 50Hz.

PERI-TV SOCKET



SCART 1 (SC050)

1	Audio right output	0.5Vrms / 1K
2	Audio right input	0.5Vrms / 10K
3	Audio left output	0.5Vrms / 1K
4	Ground AF	
5	Ground Blue	
6	Audio left input	0.5Vrms / 10K
7	Blue input	0.7Vpp / 75ohm
8	AV switching input	0-12VDC /10K
9	Ground Green	
10	-	
11	Green input	0.7Vpp / 75ohm
12	-	
13	Ground Red	
14	Ground Blanking	
15	Red input	0.7Vpp / 75ohm
16	Blanking input	0-0.4VDC, 1-3VDC / 75ohm
17	Ground CVS output	
18	Ground CVS input	
19	CVS output	1Vpp / 75ohm
20	CVS input	1Vpp / 75ohm
21	Ground	

SCART 2 (SC051)

1	Audio right output	0.5Vrms / 1K
2	Audio right input	0.5Vrms / 10K
3	Audio left output	0.5Vrms / 1K
4	Ground AF	
5	Ground Blue	
6	Audio left input	0.5Vrms / 10K
7	Blue input	0.7Vpp / 75ohm
8	AV switching input	0-12VDC /10K
9	Ground Green	
10	-	
11	-	
12	-	
13	Ground Red	
14	Ground Blanking	
15	-	
16	-	
17	Ground CVS output	
18	Ground CVS input	
19	CVS output	1Vpp / 75ohm
20	CVS input	1Vpp / 75ohm
21	Ground	

1. INTRODUCTION

11AK19 is a 90ø and 110ø chassis capable of driving 20-21",24",25",28-29",32",33" tubes at appropriate currents.

The chassis is capable of working in both PAL and SECAM. The sound system is capable of giving 6watts

RMS output into a load of 8ohms.

One 8 page simple TELETXT, TOPTXT and FASTEXT is provided.

The chassis is equipped with 21-pin scart connectors which can accept via scart the SVHS format from VCRs so equipped.

2. SMALL SIGNAL PART WITH TDA884X

The TDA8840/8842/8844 combine all small signal functions required for a colour TV receiver, except tuning.

2.1. Vision IF amplifier

The IF-amplifier contains 3 AC-coupled control stages with a total gain control range which is higher than 66dB.

The sensitivity of the circuit is comparable with that of modern IF-IC' s. The video signal is demodulated by means of a PLL carrier regenerator. This circuit contains a frequency detector and a phase detector. The AFC output is obtained by using the VCO control voltage of the PLL and can be read via the I²C-bus. For fast search tuning systems the window of the AFC can be increased with a factor 3. The setting is realised with the AFW bit.

Depending on the type the AGC-detector operates on top-sync level (single standard versions) or on top sync and top white-level (multi standard versions). The demodulation polarity is switched via the I²C-bus. The AGC detector time-constant capacitor is connected externally. This mainly because of the flexibility of the application. The time-constant of the AGC system during positive modulation is rather long to avoid visible variations of the signal amplitude.

To improve the speed of the AGC system a circuit has been included which detects whether the AGC detector is activated every frame period. When during 3 frame periods no action is detected the speed of the system is increased. For signals without peak white information the system switches automatically to a gated black level AGC. Because a black level clamp pulse is required for this way of operation the circuit will only switch to black level AGC in the internal mode.

The circuits contain a video identification circuit which is independent of the synchronisation circuit. Therefore search tuning is possible when the display section of the receiver is used as a monitor. The ident output is supplied to the tuning system via the I²C-bus. The video ident circuit can be made less sensitive by means of the STM bit. This mode can be used during search tuning to avoid that the tuning system will stop at very weak input signals.

2.2. Video Switches

The circuits have two CVBS inputs (internal and external CVBS) and Y/C input. When the Y/C input is not required the Y input can be used as third CVBS input. The selection of the various sources is made via the I²C-bus. The circuit has one CVBS output.

2.3. Sound Circuit

The sound band pass and trap filters have to be connected externally. The filtered intercarrier signal is fed to a limiter circuit and is demodulated by means of a PLL demodulator. This PLL circuit tunes itself automatically to the incoming carrier signal so that no adjustment is required.

The volume is controlled via the I²C-bus. The deemphasis capacitor has to be connected externally. The non-controlled audio signal can be obtained from this pin. The FM demodulator can be muted via the I²C-bus. This function can be used to switch-off the sound during a channel change so that high output peaks are prevented. The TDA8840/8842 contain an automatic volume levelling (AVL) circuit which automatically stabilises the audio output signal to a certain level which can be set by the viewer by means of the volume control. This function prevents big audio output fluctuations due to variations of the modulation depth of the transmitter. The AVL function can be activated via the I²C-bus.

2.4. Synchronisation circuit

The sync separator is preceded by a controlled amplifier which adjusts the sync pulse amplitude to a fixed level. These pulses are fed to the slicing stage which is operating at 50% of the amplitude. The separated sync pulses are fed to the first phase detector and to the coincidence detector. This coincidence detector is used to detect whether the line oscillator is synchronised and can also be used for transmitter identification. The first PLL has a very high static steepness so that the phase of the picture is independent of the line frequency. The horizontal output signal is generated by means of an oscillator which is running at twice the line frequency. Its frequency is divided by 2 to lock the first control loop to the incoming signal. The time-constant of the loop can be forced by the I²C-bus (fast or slow).

If required the IC can select the time-constant depending on the noise content of the incoming video signal.

To protect the horizontal output transistor, the horizontal drive is immediately switched off when a power-on-reset is detected.

The drive signal is switched-on again when the normal switch-on procedure is followed.

Via the I²C-bus, adjustments can be made of the horizontal and vertical geometry. The vertical sawtooth generator drives the vertical output drive circuit which has a differential output current. For the EW drive a single ended current output is available.

When the horizontal scan is reduced to display 4 : 3 pictures on a 16 : 9 picture tube an accurate video blanking can be switched on to obtain well defined edges on the screen.

Overvoltage conditions can be detected via the EHT tracking pin. When an overvoltage condition is detected the horizontal output drive signal will be switched-off via the slow stop procedure but it is also possible that the drive is not switched-off and that just a protection indication is given in the I²C-bus output byte. The choice is made via the input bit PRD.

2.5. Chroma and Luminance processing

The circuits contain a chroma bandpass and trap circuit. The filters are realised by means of gyrator circuits and they are automatically calibrated by comparing the tuning frequency with the X-tal frequency of the decoder.

The luminance delay line and the delay for the peaking circuit are also realised by means of gyrator circuits.

The centre frequency of the chroma bandpass filter is switchable via the I²C-bus so that the performance can be optimised for "front-end" signals and external CVBS signals.

During SECAM reception the centre frequency of the chroma trap is reduced to get a better suppression of the SECAM carrier frequencies.

2.6. Colour Decoder

The decoder contains an alignment-free X-tal oscillator, a killer circuit and two colour difference demodulators. The 90° phase shift for the reference signal is made internally.

The IC contains an automatic colour limiting (ACL) circuit which prevents that oversaturation occurs when signals with a high chroma-to-burst ratio are received. The ACL circuit is designed such that it only reduces the chroma signal and not the burst signal. This has the advantage that the colour sensitivity is not affected by this function.

The base-band delay line is integrated in the PAL/SECAM IC's.

The demodulated colour difference signals are internally supplied to the delay line. The matrixed signals are externally available.

The colour difference matrix switches automatically between

PAL/SECAM and NTSC, however, it is also possible to fix the matrix in the PAL standard.

Which colour standard the IC can decode depends on the external X-tals. The X-tal to be connected to pin 34 must have a frequency of 3.5 MHz (NTSC-M, PAL-M or PAL-N) and pin 35 can handle X-tals with a frequency of 4.4 and 3.5 MHz. To prevent calibration problems of the horizontal oscillator the external switching between the 2 X-tals should be carried out when the oscillator is forced to pin 35. For a reliable calibration of the horizontal oscillator it is very important that the X-tal indication bits (XA and XB) are not corrupted. For this reason the X-tal bits can be read in the output bytes so that the software can check the I²C-bus transmission.

2.7. RGB output circuit and black-current stabilisation

The colour-difference signals are matrixed with the luminance signal to obtain the RGB-signals. The TDA 884X device has one linear RGB input. This RGB signal can be controlled on contrast and brightness.

The output signal has an amplitude of about 2 volts black-to-white at nominal input signals and nominal settings of the controls.

To increase the flexibility of the IC it is possible to insert OSD and/or teletext signals directly at the RGB outputs.

This insertion mode is controlled via the insertion input (pin 26 in the S-DIP 56- and pin 38 in the QFP-64 level). This blanking action at the RGB outputs has some delay which must be compensated externally.

To obtain an accurate biasing of the picture tube a "Continuous Cathode Calibration" circuit has been developed.

This function is realised by means of a 2-point black level stabilisation circuit.

When the TV receiver is switched-on, the RGB output signals are blanked and the black current loop will try to set the right picture tube bias levels. Via the AST bit a choice can be made between automatic start-up or a start-up via the m-processor.

3. TUNER

Either a PLL or a VST tuner is used as a tuner.

UV1316 (VHF/UHF) is used as a PLL tuner. For only PALM/N, NTSC M applications UV 1336 is used as the PLL tuner. UV 1315 (VHF/UHF) is used as a VST Tuner.

Channel coverage of UV1316:

BAND	OFF-AIR CHANNELS		CABLE CHANNELS	
	CHANNELS RANGE (MHz)	FREQUENCY	CHANNELS	FREQUENCY RANGE (MHz)
Low Band	E2 to C	48.25 to 82.25 (1)	S01 to S08	69.25 to 154.25
Mid Band	E5 to E12	175.25 to 224.25	S09 to S38	161.25 to 439.25
High Band	E21 to E69	471.25 to 855.25 (2)	S39 to S41	447.25 to 463.25

(1). Enough margin is available to tune down to 45.25 MHz.

(2). Enough margin is available to tune up to 863.25 MHz.

Noise	Typical	Max.	Gain	Min.	Typical	Max.
Low band	: 5dB	9dB	All channels	: 38dB	44dB	52dB
Mid band	: 5dB	9dB	Gain Taper (of-air channels)	: -	-	8dB
High band	: 6dB	9dB				

Channel Coverage UV1336:

BAND	CHANNELS	FREQUENCY RANGE (MHz)
Low Band	2 to D	55.25 to 139.25
Mid Band	E to PP	145.25 to 391.25
High Band	QQ to 69	397.25 to 801.25

Noise is typically 6dB for all channels. Gain is minimum 38dB and maximum 50dB for all channels.

Channel Coverage of UV1315:

BAND	OFF-AIR CHANNELS		CABLE CHANNELS	
	CHANNELS	FREQUENCY RANGE (MHz)	CHANNELS	FREQUENCY RANGE (MHz)
Low Band	E2 to C	48.25 to 82.25 (1)	S01 to S10	69.25 to 168.25
Mid Band	E5 to E12	175.25 to 224.25	S11 to S39	231.25 to 447.25
High Band	E21 to E69	471.25 to 855.25 (2)	S40 to S41	455.25 to 463.25

(1). Enough margin is available to tune down to 45.25 MHz.

(2). Enough margin is available to tune up to 863.25 MHz.

Noise	Typ.	Max.	Gain	Min.	Typ.	Max.
Low band	: 6dB	9dB	All Channels	38dB	44dB	50dB
Mid band	: 6dB	10dB	Gain Taper	-	-	8dB
High band	: 6dB	11dB	(off-air channels)			

4.VIDEO SWITCH TEA6415C

In case of three or more external sources are used, the video switch IC TEA6415C is used. The main function of this device is to switch 8 video input sources on the 6 outputs.

Each output can be switched on only one of each input. On each input an alignment of the lowest level of the signal is made (bottom of sync. top for CVBS or black level for RGB signals).

Each nominal gain between any input and output is 6.5dB. For D2MAC or Chroma signal the alignment is switched off by forcing, with an external resistor bridge, 5VDC on the input. Each input can be used as a normal input or as a MAC or Chroma input (with external resistor bridge). All the switching possibilities are changed through the BUS.

Driving 75ohm load needs an external resistor.

It is possible to have the same input connected to several outputs.

5. AM DEMODULATOR TDA9830

The TDA9830 is designed for AM-sound demodulation used in L and L' standard.

Sound IF Input:

The sound IF amplifier consists of three AC-coupled differential amplifier stages each with approximately 20dB gain. At the output of each stage is a multiplier for gain controlling. The overall control range is approximately -6 to +60dB and the frequency response (-3dB) of the IF amplifier is approximately 6 to 70MHz. The steepness of gain control is approximately 10mV/dB.

IF AGC:

The automatic gain control voltage to maintain the AM demodulator output signal at a constant level is generated by a mean level detector. The AGC-detector charges and discharges the capacitor at pin 3 controlled by the output signal of the AM-demodulator compared to an internal reference voltage. The maximum charge/discharge current is approximately 5 mA.

AM-demodulator

The IF amplifier output signal is fed to a limiting amplifier (two stages) and to a multiplier circuit. However the limiter output signal (which is not any more AM modulated) is also fed to the multiplier, which provides AM demodulation (in phase demodulation). After lowpass filtering (fg @ 400kHz) for carrier rejection and buffering, the demodulator output signal is present at pin 6.

Audio Switch

This circuit is an operational amplifier with three input stages and internal feedback network determining gain (0dB) and frequency response (fg @ 700kHz). Two of the input stages are connected to pin 7 and pin 9, the third input stage to an internal reference voltage. Controlled by the switching pins 10 and 12, one of the three input stages can be activated and a choice made between two different AF signals or mute state. The selected signal is present at pin 8. The decoupling capacitors at the input pins are needed, because the internally generated bias voltage for the input stages must not be influenced by the application in order to avoid DC-plop in case of switching.

Reference Circuit:

This circuit is a band gap stabiliser in combination with a voltage regulation amplifier, which provides an internal reference voltage of about 3.6V nearly independent from supply voltage and temperature. This reference voltage is filtered by the capacitor at pin 4 in order to reduce noise. It is used as a reference to generate all important voltages and currents of the circuit.

For application in 12V power supply concepts, there is an internal voltage divider in combination with a Darlington transistor in order to reduce the supply voltage for all IC function blocks to approximately 6V.

6. MULTISTANDARD SOUND PROCESSOR:

The MSP 34x0D is designed to perform demodulation of FM or AM-Mono TV sound. Alternatively, two-carrier FM systems according to the German or Korean terrestrial specs or the satellite specs can be processed with the MSP 34x0D. Digital demodulation and decoding of NICAM-coded TV stereo sound, is done only by the MSP 3410. The MSP 34x0D offers a powerful feature to calculate the carrier field strength which can be used for automatic standard detection (terrestrial) and search algorithms (satellite).

7. SOUND OUTPUT STAGE TDA2614/TDA2615/TDA2616Q

TDA2614 is used as the AF output amplifier for mono applications. It is supplied by $\pm 12\text{VDC}$ coming from a separate winding in the SMPS transformer. An output power of $2 \times 6\text{W}$ (THD=0.5%) can be delivered into an 8ohm load.

TDA2615 is used as the AF output amplifier for stereo applications. It is supplied by $\pm 12\text{VDC}$ coming from a separate winding in the SMPS transformer. An output power of $2 \times 6\text{W}$ (THD=0.5%) can be delivered into an 8ohm load.

TDA2616Q is used as the AF output amplifier for stereo and dolby prologic applications. It is supplied by $\pm 16\text{VDC}$ coming from a separate winding in the SMPS transformer. An output power of $2 \times 12\text{W}$ (THD=0.5%) can be delivered into an 8ohm load.

8. VERTICAL OUTPUT STAGE WITH TDA8351/8356

The TDA8351/8356 vertical deflection circuit can be used in 90° and 110° deflection systems with field frequencies from 50 up to 120Hz. With its bridge configuration the deflection output can be DC coupled with few external components.

Only a single supply voltage for the scan and a second supply for the flyback are needed. The TDA8356 is intended for 90° systems and the TDA8351 is intended for 110° systems.

The drive voltage is amplified by an amplifier and fed to two amplifiers, one is inverting and the other is a non inverting amplifier. The outputs (pins 7 and 4) are connected to the series connection of the vertical deflection coil and feedback resistor R_{sense} (R702/R703). The voltage across R_{sense} is fed via pin 9 to correction amplifier, to obtain a deflection current which is proportional to the drive voltage. The supply voltage for the TDA8351/8356 is 15VDC at pin 3. The supply voltage generator has a separate supply voltage of 45VDC at pin 6.

9. VIDEO OUTPUT AMPLIFIER TDA6108M

The TDA6108M consists of three monolithic video output amplifiers. The amplifier can be seen as an operational amplifier with negative feedback.

The advantage of negative feedback is that the amplifier characteristics do not play an important role up to certain frequencies.

The internal flash diodes protect the amplifiers against flash over in the picture tube.

The only protections required at the cathode outputs are a flash resistor and a sparkgap.

The TDA6108M has an internal thermal protection circuit which gives a decrease of the slew rate at high temperatures.

Furthermore, the device needs only one power supply voltage (Vdd).

In contrast to previous types of DMOS video amplifiers, all the external resistors (R_f , R_i and R_a) are integrated, so the gain is fixed and saves 9 resistors.

Furthermore, the reference voltage is integrated, it saves a resistor divider and a decoupling capacitor. So, the replacement value of the TDA6108MQ is very high.

The TDA6108M is provided with a black current data pin. Since TDA884X is used as drive device, no adjustments are required for gain and black setting, as the TDA884X has I²C white point adjustment and black current set-up.

10. SINGLE/MULTISTANDARD VIF/SIF-PLL and FM-PLL/AM DEMODULATOR TDA4470

The TDA4470 is an integrated bipolar circuit for multi-standard video / sound IF (VIF/SIF) signal processing, in TV/VCR and multimedia applications. The circuit processes all TV video IF signals with negative modulation (e.g.. B/G standard) positive modulation (e.g.. L standard) and the AM, FM/NICAM sound IF signals.

11. COMBFILTER TDA9181

The TDA 9181 is an adaptive PAL/NTSC comb filter with two internal delay lines, filters, clock control, and input clamps. Video standards PAL B, G, H, I, M and N NTSC M are supported. Two CVBS input signals can be selected by means of input switch. In addition to the comb filter the circuit contains an output switch so that a selection can be made between the combed CVBS signal and an external Y/C signal. The supply voltage is 5V.

12. POWER SUPPLY (SMPS)

The DC voltages required at various parts of the chassis are provided by an SMPS transformer controlled by the IC MC44604 which is designed for driving, controlling and protecting switching transistor of SMPS. The transformer produces 150/115V for FBT input, $\pm 14V$ for audio output IC, S+2.5V and S+3.3V for microcontroller, +15V for vertical output (field scan) and +33V for tuner and some other ICs and transistors.

13. MICROCONTROLLER SDA5555

The device is TV PRO tuning and control system based on the SDA 5555 TV TEXT microcontroller. It is designed for a low cost mono TV-SET with analogue picture and sound control. Nevertheless the system offers an on screen display (OSD) and IR remote control of all functions.

SDA5555 has the following features:

- Display of program number, channel number, TV standard, analogue values, sleep timer, parental control, and mute is done by OSD.
- Single LED for IR active, standby and on mode indication.
- 1 Control line to select external source.
- 3 Control lines for TV standard selection.
- Frequency synthesis tuning (62.5 kHz steps)
- 192 step fine tuning
- Channels corresponding to standards B/G, OIRT, L and I (I+)
- Mono sound control by analogue voltage
- System configuration with service mode

14. SERIAL ACCESS CMOS 8K (1024*8) EEPROM ST24C08

The ST24C08 is a 8Kbit electrically erasable programmable memory (EEPROM), organised as 4 blocks of 256*8 bits. The memory is compatible with the I²C standard, two wire serial interface which uses a bi-directional data bus and serial clock. The memory carries a built-in 4 bit, unique device identification code (1010) corresponding to the I²C bus definition. This is used together with 1 chip enable input (E) so that up to 2*8K devices may be attached to the I²C bus and selected individually.

15. CLASS AB STEREO HEADPHONE DRIVER TDA1308

The TDA1308 is an integrated class AB stereo headphone driver contained in a DIP8 plastic package. The device is fabricated in a 1 mm CMOS process and has been primarily developed for portable digital audio applications.

16. SAW FILTERS

Saw filter type : Model:

G1965M	: PAL-SECAM B/G MONO
G3962M	: PAL-SECAM B/G GER&NIC STEREO, PAL I' NIC STEREO, INT-1
G1984	: PAL-SECAM B/G GER&NIC STEREO INT-2
J1951M	: PAL-I MONO
J3950M	: PAL-I NIC STEREO
J1956M	: PAL-I' MONO
K2955M	: PAL-SECAM B/G-D/K MONO, PAL-SECAM B/G-D/K-I', MONO, PAL-SECAM B/G-D/K-L MONO
K2958M	: PAL-SECAM B/G-D/K (38) MONO
K2962M	: PAL-SECAM B/G-L/L' MONO
G3957M	: PAL-SECAM B/G-L/L' GER&NIC BG/L STEREO
K6256K	: PAL-SECAM B/G-D/K-I-L/L' MONO, PAL-SECAM B/G-D/K-I, L/L' GER&NIC BG/L STEREO, PAL-SECAM B/G-D/K-I-L/L' I, NICAM STEREO, PAL-SECAM B/G-D/K-I-L/L' GER&NIC I'-B/G-L, STEREO
K6259K	: PAL-SECAM B/G-D/K-I-M/N (EURO) MONO
M1963M	: PAL M/N MONO, NTSC M MONO, PAL M/N-NTSC M MONO

17. BTSC STEREO/SAP/DBX-DECODER and AUDIO PROCESSOR TDA9855

The TDA9855 is a BTSC stereo/SAP/dbx decoder and audio processor. It performs all functions to transform the composite baseband signal into the appropriate audio output signals to line out and to the loudspeaker output stages.

IC DESCRIPTIONS AND INTERNAL BLOCK DIAGRAM

- TDA8840/8842/8844
- TUNER (UV1315, UV1316, UV1336)
- TEA6415C
- TDA9830
- TDA2614/2615/2616Q
- TDA8351/8356
- TDA6108M
- TDA9181
- TDA 44608
- SDA555X
- MSP34X0D
- TDA4470
- ST24C08
- TDA1308
- G1965M
- TDA3430G
- DPL3519A
- SDA9488A
- TDA9886

TDA8840/8842/8844:

The TDA884X is I²C-bus controlled single chip TV processor which is intended to be applied in PAL, NTSC, PAL/NTSC and multi-standard television receivers. These IC's are nearly pin compatible with the TDA837X TV processors but have a higher degree of integration because the delay line (TDA4665 function) and the SECAM decoder have been integrated. In addition to these functions some additional features have been added like "Continuous Cathode Calibration" (2-point black current loop which results in an accurate biasing of the 3 guns), adjustable luminance delay time, blue stretching and dynamic skin tone control.

Features:

- Vision IF circuit with PLL demodulator
- Alignment-free multi-standard FM sound demodulator (4.5 MHz to 6.5 MHz)
- Audio switch
- Flexible source selection with CVBS switch and Y(CVBS)/C input so that a comb filter can be applied
- Integrated chrominance trap circuit
- Integrated luminance delay line
- Asymmetrical peaking in the luminance channel with a noise coring function
- Black stretching of non-standard CVBS or luminance signals
- Integrated chroma band-pass filter with switchable center frequency
- Blue stretch circuit which offsets colours near white towards blue
- RGB control circuit with "Continuous Cathode Calibration" and white point adjustment
- Linear RGB inputs and fast blanking
- Possibility to insert a "blue black" option when no video signal is available
- Horizontal synchronisation with two control loops and alignment-free horizontal oscillator
- Vertical count-down circuit
- Vertical driver optimised for DC-coupled vertical output stages
- I²C-bus control of various functions
- Low dissipation (850 mW)

Functional Differences between the 8840/8842/8844:

IC VERSION (TDA)	8840	8842	8844
Multi-standard IF		X	X
Automatic Volume Limiting	X	X	
PAL Decoder	X	X	X
SECAM Decoder		X	X
NTSC Decoder		X	X
Dynamic Skin Control			X
Colour Matrix PAL/NTSC (Japan)		X	X
Colour Matrix NTSC Japan/USA			
YUV interface			X
Base-band delay line	X	X	X
Adjustable luminance delay time			X
Horizontal geometry			X
Horizontal and vertical zoom			X
Vertical scroll			X

PINNING

- | | PIN VALUE |
|-----------------------------------|--|
| 1. Sound IF input | : 1mVrms |
| 2. External audio input | : 500mVrms |
| 3. IF demodulator tuned circuit 1 | |
| 4. IF demodulator tuned circuit 2 | |
| 5. IF-PLL loop filter | : Min:32-Max:60 MHz |
| 6. IF video output | : 4.7V (Negative Modulation), 2V (Positive Modulation) |
| 7. Serial clock input | : Low level max:1.5 V, High level min 3.5V |
| 8. Serial data input/output | : Low level max:1.5 V, High level min 3.5V |
| 9. Bandgap decoupling | |
| 10. Chrominance input (S-VHS) | : 1Vpp, Max:1.4Vpp |
| 11. External CVBS/Y input | : 1Vpp, Max:1.4Vpp |
| 12. Main supply voltage 1 | : 8V, Min:7.2V, Max:8.8V |
| 13. Internal CVBS input | : 1Vpp, Max:1.4Vpp |
| 14. Ground 1 | |

15. Audio output	: 700mVrms, Min:500mVrms, Max:900mVrms
16. SECAM PLL decoupling	
17. External CVBS input	: Vpp, Max:1.4Vpp
18. Black-current input	: Amplitude of "low" reference current : 8mA Amplitude of "high" reference current : 20mA
19. Blue output	: 2Vpp
20. Green output	: 2Vpp
21. Red output	: 2Vpp
22. Beam current limiter input/V-guard input	
23. Red input for insertion	: 0.7Vpp, Max:0.8Vpp
24. Green input for insertion	: 0.7Vpp, Max:0.8Vpp
25. Blue input for insertion	: 0.7Vpp, Max:0.8Vpp
26. RGB insertion input	: Max:0.3V
27. Luminance input	: 1.4Vpp
28. Luminance output	: 1.4Vpp
29. (B-Y) signal output	: 1.05Vpp
30. (R-Y) signal output	: 1.05Vpp
31. (B-Y) signal input	: 1.05Vpp
32. (R-Y) signal input	: 1.05Vpp
33. Subcarrier reference output	: 3.58/4.43 MHz
34. 3.58 MHz crystal connection	
35. 4.43/3.58 MHz crystal connection	
36. Loop filter phase detector	
37. 2nd supply voltage 1	: 8V, Min:7.2V, Max:8.8V
38. CVBS output	: 1Vpp, Max:1.4Vpp
39. Decoupling digital supply	: 1.8V
40. Horizontal output	: Max: 0.3V
41. Flyback input/sandcastle output	: Min:100ma, Max:300mA
42. Phase-2 filter	: 150 ms/ms
43. Phase-1 filter	: ±0.9 kHz, Max: ±1.2 kHz
44. Ground 2	
45. East-west drive output	
46. Vertical drive A output	: 0.95mA
47. Vertical drive B output	: 0.95mA
48. IF input 1	
49. IF input 2	
50. EHT/overvoltage protection input	: Min:1.2V, Max : 2.8V
51. Vertical sawtooth capacitor	: 3Vpp
52. Reference current input	: 3Vpp
53. AGC decoupling capacitor	
54. Tuner AGC output	: Max:9V (Maximum tuner AGC Output voltage), 300mV (Output saturation voltage)
55. Audio deemphasis	: 500mVrms
56. Decoupling sound demodulator	

UV1315, UV1316, UV1336

General description of UV1315:

The UV1315 tuner belongs to the UV 1300 family of tuners, which are designed to meet a wide range of applications. It is a combined VHF, UHF tuner suitable for CCIR systems B/G, H, L, L', I and I'. The low IF output impedance has been designed for direct drive of a wide variety of SAW filters with sufficient suppression of triple transient.

Features of UV1315:

- Member of the UV1300 family small sized UHF/VHF tuners
- Systems CCIR:B/G, H, L, L', I and I'; OIRT:D/K
- Voltage synthesized tuning (VST)
- Off-air channels, S-cable channels and Hyperband
- Standardized mechanical dimensions and pinning
- Compact size

PINNING

PIN VALUE

1. Gain control voltage (AGC)	: 4.0V, Max:4.5V
2. Tuning voltage	
3. High band switch	: 5V, Min:4.75V, Max:5.5V
4. Mid band switch	: 5V, Min:4.75V, Max:5.5V
5. Low band switch	: 5V, Min:4.75V, Max:5.5V
6. Supply voltage	: 5V, Min:4.75V, Max:5.5V
7. Not connected	
8. Not connected	
9. Not connected	
10. Symmetrical IF output 1	
11. Symmetrical IF output 2	

Bandswitching table:

	Pin 3	Pin 4	Pin 5
Low band	0V	0V	+5V
Mid band	0V	+5V	0V
High band	+5V	0V	0V

General description of UV1316:

The UV1316 tuner belongs to the UV 1300 family of tuners, which are designed to meet a wide range of applications. It is a combined VHF, UHF tuner suitable for CCIR systems B/G, H, L, L', I and I'. The low IF output impedance has been designed for direct drive of a wide variety of SAW filters with sufficient suppression of triple transient.

Features of UV1316:

- Member of the UV1300 family small sized UHF/VHF tuners
- Systems CCIR: B/G, H, L, L', I and I'; OIRT: D/K
- Digitally controlled (PLL) tuning via I²C-bus
- Off-air channels, S-cable channels and Hyperband
- World standardized mechanical dimensions and world standard pinning
- Compact size
- Complies to "CENELEC EN55020" and "EN55013"

PINNING

PIN VALUE

- | | |
|--|-----------------------------|
| 1. Gain control voltage (AGC) | : 4.0V, Max:4.5V |
| 2. Tuning voltage | |
| 3. I ² C-bus address select | : Max:5.5V |
| 4. I ² C-bus serial clock | : Min:-0.3V, Max:5.5V |
| 5. I ² C-bus serial data | : Min:-0.3V, Max:5.5V |
| 6. Not connected | |
| 7. PLL supply voltage | : 5.0V, Min:4.75V, Max:5.5V |
| 8. ADC input | |
| 9. Tuner supply voltage | : 33V, Min:30V, Max:35V |
| 10. Symmetrical IF output 1 | |
| 11. Symmetrical IF output 2 | |

General description of UV1336:

UV1336 series is developed for reception of channels broadcast in accordance with the M, N standard. The tuning is available through built-in digitally controlled I²C bus (PLL).

Features of UV1336:

- Global standard pinning
- Integrated Mixer-Oscillator&PLL function
- Conforms to CISPR 13, FCC and DOC (Canada) regulations
- Low power consumption
- Both Phono connector and 'F' connector are available

PINNING

PIN VALUE

- | | |
|--------------------------|-----------------------------|
| 1. Gain control voltage | : 4.0V, Max:4.5V |
| 2. Tuning voltage | |
| 3. Address select | : Max:5.5V |
| 4. Serial clock | : Min:-0.3V, Max:5.5V |
| 5. Serial data | : Min:-0.3V, Max:5.5V |
| 6. Not connected | |
| 7. Supply voltage | : 5.0V, Min:4.75V, Max:5.5V |
| 8. ADC input (optional) | |
| 9. Tuning supply voltage | : 33V, Min:30V, Max:35V |
| 10. Ground | |
| 11. IF output | |

TEA6415C:

General Description:

The main function of the TEA6415C is to switch 8 video input sources on the 6 outputs.

Each output can be switched to only one of the inputs whereas but any same input may be connected to several outputs.

All switching possibilities are controlled through the I²C-bus.

Features:

- 20 MHz Bandwidth
- Cascadable with another TEA6415C (Internal address can be changed by pin 7 voltage)
- 8 inputs (CVBS, RGB, Mac, CHROMA, ...)
- 6 Outputs
- Possibility of MAC or chroma signal for each input by switching-off the clamp with an external resistor bridge
- Bus controlled
- 6.5dB gain between any input and output
- -55dB crosstalk at 5MHz
- Fully ESD protected

PINNING

PIN VALUE

- | | | | | |
|----------|-------------|------------------------------|------------|----------------|
| 1. Input | : Max | : 2Vpp, Input Current | : 1mA, Max | : 3mA |
| 2. Data | : Low level | : -0.3V Max:1.5V, High level | : 3.0V | Max : Vcc+0.5V |
| 3. Input | : Max | : 2Vpp, Input Current | : 1mA, Max | : 3mA |
| 4. Clock | : Low level | : -0.3V Max:1.5V, High level | : 3.0V | Max : Vcc+0.5V |
| 5. Input | : Max | : 2Vpp, Input Current | : 1mA, Max | : 3mA |

6. Input	: Max	: 2Vpp, Input Current	: 1mA, Max	: 3mA
7. Prog				
8. Input	: Max	: 2Vpp, Input Current	: 1mA, Max	: 3mA
9. Vcc	: 12V			
10. Input	: Max	: 2Vpp, Input Current	: 1mA, Max	: 3mA
11. Input	: Max	: 2Vpp, Input Current	: 1mA, Max	: 3mA
12. Ground				
13. Output	: 5.5Vpp,	Min : 4.5Vpp		
14. Output	: 5.5Vpp,	Min : 4.5Vpp		
15. Output	: 5.5Vpp,	Min : 4.5Vpp		
16. Output	: 5.5Vpp,	Min : 4.5Vpp		
17. Output	: 5.5Vpp,	Min : 4.5Vpp		
18. Output	: 5.5Vpp,	Min : 4.5Vpp		
19. Ground				
20. Input	: Max	: 2Vpp, Input Current	: 1mA, Max	: 3mA

TDA9830:

General description:

The TDA9830, a monolithic integrated circuit, is designed for AM-sound demodulation used in L- and L'-standard. The IC provides an audio source selector and also mute switch.

Features:

- Adjustment free wideband synchronous AM demodulator
- Audio source-mute switch (low noise)
- Audio level according EN50049
- 5 to 8V power supply or 12 V alternative
- Low power consumption

PINNING

PIN VALUE

1. Sound IF differential input signal	: Minimum IF input signal (between pins 1 and 16):60mV Max:100mV Maximum IF input signal (between pins 1 and 16) :120mV Min :70mV
2. Not connected	
3. AGC capacitor	
4. REF voltage filtering capacitor	
5. Not connected	
6. AM demodulator output	: THD:0.8%, Max:2%; S/N:53dB, Min:47%; DC potential:2.15V, Min : 2.00V Max :2.30V
7. Input signal (from AM) to audio switch	: Max:1.2V
8. Output signal from audio switch	: 80dB, Min : 70dB
9. Input signal (from external) to audio switch	: Max:1.2V
10. Switch input select control	: Audio switching voltage to activate pin7 : Min :0V, Max :0.8V Audio switching voltage to activate pin9 : Min:1.5V, Max : Vp
11. Supply voltage	: 12V, Min:10.8V, Max:13.2V
12. Mute control	: For Mute-ON Min : 0V, Max : 0.8V For Mute-OFF Min : 1.5V, Max : Vp
13. Ground	
14. Supply voltage	: 5V, Min : 4.5V, Max : 8.8V
15. Not connected	
16. Sound IF differential input signal	: Look at pin 1

TDA2614/TDA2615/TDA2616Q:

General Description of TDA2614:

The TDA2614 is a power amplifier in a 9-lead single-in-line (SIL9) plastic medium power package. It has been especially designed for mains fed applications.

Features:

- Requires very few external components
- No switch-on/switch-off clicks
- Input mute during switch-on and switch-off
- Low offset voltage between output and ground
- Hi-fi in accordance with IEC 268 and DIN 45500
- Short-circuit proof and thermal protected
- Mute possibility

PINNING

PIN VALUE

1. Not connected	
2. Mute input	: 300mA (For mute to activate)
3. Ground	
4. Not connected	
5. Supply voltage (negative)	: -12VDC
6. Output	: 6.9Vrms
7. Supply voltage (positive)	: +12VDC
8. Inverting input (Ground)	: 0V
9. Non-inverting input	: 700mVrms, Min : 500mVrms, Max : 900mVrms

General Description of TDA2615:

The TDA2615 is a dual power amplifier in a 9-lead single-in-line (SIL9). It has been especially designed for mains fed applications.

Features:

- Requires very few external components
- No switch-on/switch-off clicks
- Input mute during switch-on and switch-off
- Low offset voltage between output and ground
- Excellent gain balance of both amplifiers
- Hi-fi in accordance with IEC 268 and DIN 45500
- Short-circuit proof and thermal protected
- Mute possibility

PINNING

PIN VALUE

- | | |
|--------------------------------------|--|
| 1. Non-inverting input 1 | : 700mVrms, Min :500mVrms, Max : 900mVrms |
| 2. Mute input | : 300mA (For mute to activate) |
| 3. Ground | |
| 4. Output 1 | : 6.9Vrms |
| 5. Supply voltage (negative) | : -12VDC |
| 6. Output 2 | : 6.9Vrms |
| 7. Supply voltage (positive) | : +12VDC |
| 8. Inverting inputs 1 and 2 (Ground) | : 0V |
| 9. Non-inverting input 2 | : 700mVrms, Min : 500mVrms, Max : 900mVrms |

General Description of TDA2616Q:

The TDA2616Q is a dual power amplifier. It is supplied in a 9-lead SIL-bent-to DIL plastic power package (SOT157).

It has been especially designed for mains fed applications.

Features:

- Requires very few external components
- No switch-on/switch-off clicks
- Input mute during switch-on and switch-off
- Low offset voltage between output and ground
- Excellent gain balance of both amplifiers
- Hi-fi in accordance with IEC 268 and DIN 45500
- Short-circuit proof and thermal protected
- Mute possibility

PINNING

PIN VALUE

- | | |
|--------------------------------------|--|
| 1. Non-inverting input 1 | : 700mVrms, Min : 500mVrms, Max : 900mVrms |
| 2. Mute input | : 300mA (For mute to activate) |
| 3. Ground | |
| 4. Output 1 | : 9.8Vrms |
| 5. Supply voltage (negative) | : -16VDC |
| 6. Output 2 | : 9.8Vrms |
| 7. Supply voltage (positive) | : +16VDC |
| 8. Inverting inputs 1 and 2 (Ground) | : 0V |
| 9. Non-inverting input 2 | : 700mVrms, Min : 500mVrms, Max : 900mVrms |

TDA8351/8356:

General Description:

The TDA8356 is a power circuit for use in 90° colour deflection system for field frequencies of 50 to 120 Hz.

The circuit operates as a highly efficient class G system.

The TDA8351 is a power circuit for use in 110° colour deflection system for field frequencies of 50 to 120 Hz.

The circuit operates as a highly efficient class G system.

Features:

- Few external components
- Highly efficient fully DC-coupled vertical output bridge circuit
- Vertical flyback switch
- Guard circuit
- Protection against:
 - short-circuit of the output pins (7 and 4)
 - short-circuit of the output pins to Vp
- Temperature (thermal) protection
- High EMC immunity because of common mode inputs
- A guard signal in zoom mode

PINNING

PIN VALUE

- | | |
|--|--|
| 1. Input power-stage (positive); includes li(sb) signal bias | : 400mA, Min : 50mA, Max : 500mA |
| 2. Input power-stage (negative); includes li(sb) signal bias | : 400mA, Min : 50mA, Max : 500mA |
| 3. Operating supply voltage | : +15VDC |
| 4. Output voltage B | : Max : 52V Output current : 2App (TDA8356) 3App (TDA8351) |
| 5. Ground | |
| 6. Input flyback supply voltage | : Min : Vp, Max : 50V |
| 7. Output voltage A | : Max : 52V Output current : 2App (TDA8356) 3App (TDA8351) |
| 8. Guard output voltage | : Max:5.5V (Io:100mA) |
| 9. Input feedback voltage | : Max:52V |

TDA6108:

The TDA6108 includes three video output amplifiers in a SIL 9 MP (Single In Line 9 pins Medium Power) package SOT111BE, using high-voltage DMOS technology, and is intended to drive the three cathodes of a colour picture tube.

In contrast to previous types of DMOS video amplifiers, all external resistors (R_f , R_i and R_a) are integrated, so the gain is fixed and it saves 9 resistors.

To obtain maximum performance, the amplifier should be used with black-current control and mounted on the CRT panel.

Features:

- Bandwidth: 4.0 MHz typ at 100Vpp (Measured in application set-up, with $R_{fl}=1K\Omega$ and $C_l=C_{tube}+C_{pcb}=10pF$)
- Slewrate: 950V/ms
- Fixed gain of 50 times
- No external components, only the well known supply decoupling
- Very simple application with a variety of colour decoders
- Black-current measurement output for automatic black current stabilization
- Only one supply voltage needed
- Internal protection against positive appearing CRT flash-over discharges
- Protection against ESD
- Internal reference voltage
- Thermal protection
- Controllable switch-off behaviour
- Very small PCB dimensions
- Very high replacement value

PINNING

	PIN VALUE
1. Inverting input 1	: 2Vpp
2. Inverting input 2	: 2Vpp
3. Inverting input 3	: 2Vpp
4. Ground	
5. BSC-output	: Max:7V
6. Supply voltage	: 200VDC
7. Cathode output 3	: 20mA, 100Vpp
8. Cathode output 2	: 20mA, 100Vpp
9. Cathode output 1	: 20mA, 100Vpp

TDA 9181

General description:

The TDA 9181 is an adaptive PAL/NTSC comb filter with two internal delay lines, filters, clock control, and input clamps. Video standards PAL B, G, H, I, M and N NTSC M are supported. Two CVBS input signals can be selected by means of input switch. In addition to the comb filter the circuit contains an output switch so that a selection can be made between the combed CVBS signal and an external Y/C signal. The supply voltage is 5V.

Features:

- One-chip multistandard adaptive comb filter
- Cross luminance reduction
- Cross colour reduction
- No chroma trap, so sharper vertical luminance transients
- Analog discrete-time signal processing, so no quantization noise
- Anti aliasing and reconstruction filters are included
- Input switch selects between two Y/ CVBS inputs.
- Output switch selects between combed CVBS and an external Y-C source.
- Fsc as well as 2 x Fsc colour subcarrier signal may be applied
- Alignment free
- Few external components
- Low power

PINNING

1. Off time circuit
2. Primary current simulation
3. Regulation and zero Crossing input
4. Soft-Start and Regulation Capacitor
5. Opto Coupler Input
6. Fault Comparator 2
7. Synchronization Input
8. Not Connected
9. Reference Voltage and Current
10. Fault Comparator 1
11. Primary Voltage Check
12. Ground
13. Output
14. Supply Voltage

MC44604

General description:

The MC44604 is an enhanced high performance controller that is specifically designed for off-line and DC-to-OC converter applications. In fact, the MC44604 is an evolution of the MC44603 and enables the same working in normal mode. So, it offers a really safe and reliable power management thanks particularly to its protection features (foldback, overvoltage detection, soft start accurate demagnetization detection). Its high current totem pole output is also ideally suited for driving a power MOSFET but can be used for driving a bipolar transistor in low power converters (< 150 W).

In addition to these MC44603 features, the MC44604 features a new efficient way to reduce the stand-by power, indeed, the circuit is able to detect transitions between stand-by and normal mode, and to control a patented stand-by burst mode working of the converter enabling to significantly reduce the converter consumption in stand-by mode.

Features

- Operation up to 250 kHz Output Switching Frequency
- Inherent Feed Forward Compensation
- Latching PWM for Cycle-by-Cycle Current Limiting
- Oscillator with Precise Frequency Control
- Externally Programmable Reference Current
- Secondary or Primary Sensing
- High Current Totem Pole Output
- Overvoltage Lockout with Hysteresis
- Overvoltage Protection Facility against Open Loop
- Protection against Short Circuit on Oscillator Pin
- Fully Programmable Foldback
- Soft-Start Feature
- Accurate max Duty Cycle Setting
- Demagnetization (Zero Current Detection) Protection
- Internally Trimmed Reference
- Low Start-Up and Operating Current
- Patented Stand-by Burst Mode for low stand-by losses
- Low dV/dT for Low EMI radiations

PINNING

1. Positive supply voltage
2. Output high state voltage
3. Output
4. Ground
5. Foldback input
6. Overvoltage Protection
7. Current sense input
8. Demagnetization detection
9. Stand-by current set
10. Oscillator frequency set
11. Soft-Start / Dmax / voltage - mode
12. Clamp error amplifier input
13. E / A Out (Error amplifier output)
14. Voltage Feedback
15. Stand-by management
16. Internal Reference current

SDA5555

General description:

The SDA 5555 is a single chip teletext decoder for decoding World System Teletext data as well as Video Programming System (VPS), Program Delivery Control (PDC), and Wide Screen Signalling (WSS) data used for PAL plus transmissions (line 23).

The device also supports Closed caption acquisition and decoding. The device provides an integrated general-purpose, fully 8051-compatible Microcontroller with television specific hardware features. Microcontroller has been enhanced to provide powerful features such as memory banking, data pointers and additional interrupts etc. Device has an internal ROM of 128 KBytes, and an Internal XRAM consists of 16 KBytes. The SDA 5555 supports a wide range of standards including PAL, NTSC and contains a digital slicer for VPS, WSS, PDC, TTX and Closed Caption, an accelerating acquisition hardware module, a display generator for Level 1.5 TTX data and powerful On screen Display capabilities based on parallel attributes, and Pixel oriented characters (DRCS). The 8-bit Microcontroller runs at 360 ns. cycle time(min.). Controller with dedicated hardware does most of the internal TTX acquisition processing, transfers data to/from external memory interface and receives/transmits data via I²C-firmware user-interface. The slicer combined with dedicated hardware stores TTX data in a VBI buffer of 1 Kilobyte. The Microcontroller firmware performs all the acquisition tasks (hamming- and parity-checks, page search and evaluation of header control bits) once per field. Additionally, the firmware can provide high-end Teletext-features like Packet-26-handling, FLOF, TOP and list-pages. The interface to user software is optimized for minimal overhead.

SDA 5555 is realized in 0.25 micron technology with 2.5V supply voltage and 3.3V I/O (TTL compatible).

Features

General

- Feature selection via special function register
- Simultaneous reception of TTX, VPS, PDC, and WSS (line 23)
- Supply Voltage 2.5 and 3.3 V
- ROM version package P-SDIP 52, P-MQFP64
- Romless version package P-MQFP100,P-LCC84

External Crystal and Programmable clock speed

- Single external 6MHz crystal, all necessary clocks are generated internally
- CPU clock speed selectable via special function registers.
- Normal Mode 33.33 Mhz CPU clock, Power Save mode 8.33 Mhz

Microcontroller Features

- 8bit 8051 instruction set compatible CPU.
- 33.33-MHz internal clock (max.)
- 0.360ms (min.) instruction cycle
- Two 16-bit timers
- Watchdog timer
- Capture compare timer for infrared remote control decoding
- Pulse width modulation unit (2 channels 14 bit, 6 channels 8 bit)
- ADC (4 channels, 8 bit)
- UART

Memory

- Non-multiplexed 8-bit data and 16 ... 20-bit address bus (ROMless Version)
- Memory banking up to 1Mbyte (Romless version)
- Up to 128 Kilobyte on Chip Program ROM
- Eight 16-bit data pointer registers (DPTR)
- 256-bytes on-chip Processor Internal RAM (IRAM)
- 128bytes extended stack memory.
- Display RAM and TXT/VPS/PDC/WSS-Acquisition-Buffer directly accessible via MOVX
- UP to 16KByte on Chip Extended RAM(XRAM) consisting of;
 - 1 Kilobyte on-chip ACQ-buffer-RAM (access via MOVX)
 - 1 Kilobyte on-chip extended-RAM (XRAM, access via MOVX) for user software
 - 3 Kilobyte Display Memory

Display Features

- ROM Character Set Supports all East and West European Languages in single device
- Mosaic Graphic Character Set
- Parallel Display Attributes
- Single/Double Width/Height of Characters
- Variable Flash Rate
- Programmable Screen Size (25 Rows x 33...64 Columns)
- Flexible Character Matrixes (HxV) 12 x 9...16
- Up to 256 Dynamical Redefinable Characters in standard mode; 1024 Dynamical Redefinable Characters in Enhanced Mode
- CLUT with up to 4096 color combinations
- Up to 16 Colors per DRCS Character
- One out of Eight Colors for Foreground and Background Colors for 1-bit DRCS and ROM Characters
- Shadowing
- Contrast Reduction
- Pixel by Pixel Shiftable Cursor With up to 4 Different Colors
- Support of Progressive Scan and 100 Hz.
- 3 X 4Bits RGB-DACs On-Chip
- Free Programmable Pixel Clock from 10 MHz to 32MHz
- Pixel Clock Independent from CPU Clock
- Multinorm H/V-Display Synchronization in Master or Slave Mode

Acquisition Features

- Multistandard Digital Data Slicer
- Parallel Multi-norm Slicing (TTX, VPS, WSS, CC, G+)
- Four Different Framing Codes Available
- Data Caption only Limited by available Memory
- Programmable VBI-buffer
- Full Channel Data Slicing Supported
- Fully Digital Signal Processing
- Noise Measurement and Controlled Noise Compensation
- Attenuation Measurement and Compensation
- Group Delay Measurement and Compensation
- Exact Decoding of Echo Disturbed Signals

Ports

- One 8-bit I/O-port with open drain output and optional I²C Bus emulation support(Port0)
- Two 8-bit multifunction I/O-ports (Port1, Port3)
- One 4-bit port working as digital or analog inputs for the ADC (Port2)
- One 2-bit I/O port with secondary functions (P4.2, 4.3, 4.7)
- One 4-bit I/O-port with secondary function (P4.0, 4.1, 4.4) (Not available in P-SDIP 52)

PINNING

1. Filter (sound standard) selection output 1	Low Level : 0V High Level : 3.3 V
2. Filter (sound standard) selection output 2	Low Level : 0V High Level : 3.3 V
3. Mod-switch selection output	Low Level : 0V High Level : 3.3 V
4. Loc.key.switch input	Low Level : 0V High Level : 3.3 V
5. Loc.key.switch input	Low Level : 0V High Level : 3.3 V
6. Loc.key.switch input	Low Level : 0V High Level : 3.3 V
7. Loc.key.switch input	Low Level : 0V High Level : 3.3 V
8. Mute output	Low Level : 0V High Level : 3.3 V
9. Digital supply voltage	2.5 V
10. Ground	
11. Digital supply voltage	3.3 V
12. CVBS input	1 Vpp
13. Analog supply voltage	2.5 V
14. Analog ground	
15. Safety input	Low Level : 0V High Level : 2.5 V
16. AV-1 status input	Low Level : 0V High Level : 2.5 V
17. AV-2 status input	Low Level : 0V High Level : 2.5 V
18. Service output	Low Level : 0V High Level : 2.5 V
19. SAND input	Low Level : 0V High Level : 2.5 V
20. ODD/EVEN output	Low Level : 0V High Level : 3.3 V
21. Cristal selection output 1	Low Level : 0V High Level : 3.3 V
22. St-by output	Low Level : 0V High Level : 3.3 V
23. Local connection	Low Level : 0V High Level : 3.3 V
24. IR-input	Low Level : 0V High Level : 3.3 V
25. Data output	Low Level : 0V High Level : 3.3 V
26. Clock signal output	Low Level : 0V High Level : 3.3 V
27. Cristal selection output 2	Low Level : 0V High Level : 3.3 V
28. IDTV serial communication output	Low Level : 0V High Level : 3.3 V
29. Ground	
30. Digital supply voltage	3.3 V
31. L-ACC output	Low Level : 0V High Level : 3.3 V
32. Write Protect output	Low Level : 0V High Level : 3.3 V
33. Reset output	Low Level : 0V High Level : 3.3 V
34. 6 MHz cristal connection 2	Low Level : 0V High Level : 3.3 V
35. 6 MHz cristal connection 1	Low Level : 0V High Level : 3.3 V
36. Analog ground	
37. Analog supply voltage	2.5 V
38. OSD-Red output	0.7 Vpp to 1.2 Vpp
39. OSD-Green output	0.7 Vpp to 1.2 Vpp
40. OSD-Blue output	0.7 Vpp to 1.2 Vpp
41. OSD-Blanking output	Low Level : 0V High Level : 3.3 V
42. Digital supply voltage	2.5 V
43. Ground	

44. Digital supply voltage	3.3 V
45. Comb Filter Standard Selection 1	Low Level : 0V High Level : 3.3 V
46. Comb Filter Standard Selection 2	Low Level : 0V High Level : 3.3 V
47. Audio Switch Transistor Selection 1	Low Level : 0V High Level : 3.3 V
48. Audio Switch Transistor Selection 2	Low Level : 0V High Level : 3.3 V
49. Audio Switch Transistor Selection 3	Low Level : 0V High Level : 3.3 V
50. Audio Switch Transistor Selection 4	Low Level : 0V High Level : 3.3 V
51. Tuning output	Low Level : 0V High Level : 3.3 V
52. Comb Filter PAL-SECAM selection output	Low Level : 0V High Level : 3.3 V

MSP 34X0D

General Description

The MSP 34x0D is designed to perform demodulation of FM or AM-Mono TV sound. Two kinds of MSP's are used in TV Text PRO. MSP 3400D and MSP 3410D. The MSP 3400D is fully pin and software-compatible to the MSP 3410D, but is not able to decode NICAM. It is also compatible to the MSP 3400C.

Features

Demodulator and NICAM Decoder Section

The MSP 34x0D is designed to perform demodulation of FM or AM-Mono TV sound. Alternatively, two-carrier FM systems according to the German or Korean terrestrial specs or the satellite specs can be processed with the MSP 34x0D. Digital demodulation and decoding of NICAM-coded TV stereo sound, is done only by the MSP 3410.

The MSP 34x0D offers a powerful feature to calculate the carrier field strength which can be used for automatic standard detection (terrestrial) and search algorithms (satellite).

- two selectable analog inputs (TV and SAT-IF sources)
- Automatic Gain Control (AGC) for analog IF input. Input range: 0.10–3 V pp
- integrated A/D converter for sound-IF inputs
- all demodulation and filtering is performed on chip and is individually programmable
- easy realization of all digital NICAM standards (B/G, I, L, and D/K) with MSP 3410.
- FM demodulation of all terrestrial standards (incl. identification decoding)
- FM demodulation of all satellite standards
- no external filter hardware is required
- only one crystal clock (18.432 MHz) is necessary
- FM carrier level calculation for automatic search algorithms and carrier mute function
- High-deviation FM-Mono mode (max. deviation: approx. ± 360 kHz)

DSP Section (Audio Baseband Processing)

- flexible selection of audio sources to be processed
- two digital input and one output interface via I²S bus for external DSP processors, featuring surround sound, ADR etc.
- digital interface to process ADR (ASTRA Digital Radio) together with DRP 3510A
- performance of all deemphasis systems including adaptive Wegener Panda 1 without external components or controlling
- digitally performed FM identification decoding and dematrixing
- digital baseband processing: volume, bass, treble, 5-band equalizer, loudness, pseudostereo, and basewidth enlargement
- simple controlling of volume, bass, treble, equalizer etc.

Analog Section

- four selectable analog pairs of audio baseband inputs(=four SCART inputs)input level: ≤ 2 V RMS, input impedance: ≥ 25 KW
- one selectable analog mono input (i.e. AM sound): input level: ≤ 2 V RMS , input impedance: ≥ 15 KW
- two high-quality A/D converters, S/N-Ratio: ≥ 85 dB
- 20 Hz to 20 kHz bandwidth for SCART-to-SCART copy facilities
- MAIN (loudspeaker) and AUX (headphones): two pairs of fourfold oversampled D/A-converters output level per channel: max. 1.4 V RMS output resistance: max. 5 KW S/N-ratio: ≥ 85 dB at maximum volume max. noise voltage in mute mode: ≤ 10 mV (BW: 20 Hz ... 16 kHz)
- two pairs of fourfold oversampled D/A converters supplying two selectable pairs of SCART outputs. output level per channel: max. 2 V RMS , output resistance: max. 0.5 KW, S/N-Ratio: ≥ 85 dB (20 Hz ... 16 kHz)

PINNING

1. Audio clock output (18.432 MHz)
2. Not connected
3. Not connected
4. Digital control output 1
5. Digital control output 0
6. I2C Bus address select
7. Standby (low-active)
8. Not connected
9. I2C clock
10. I2C data
11. I2S clock
12. I2S word strobe
13. I2S data output
14. I2S1 data input
15. ADR data output
16. ADR word strobe
17. ADR clock
18. Digital power supply +5 V
19. Digital ground
20. I2S2 data input
21. Not connected
22. Not connected
23. Not connected
24. Power-on reset
25. Headphone out, right
26. Headphone out, left
27. Reference ground 2 high voltage part
28. Loudspeaker out, right
29. Loudspeaker out, left
30. Not connected
31. Subwoofer output
32. Not connected
33. SCART output 2, right
34. SCART output 2, left
35. Reference ground 1 high voltage part
36. SCART output 1, right
37. SCART output 1, left
38. Volume capacitor AUX
39. Analog power supply 8.0 V
40. Volume capacitor MAIN
41. Analog ground
42. Analog reference voltage high voltage part
43. SCART input 4 in, left
44. SCART input 4 in, right
45. Analog Shield Ground 4
46. SCART input 3 in, left
47. SCART input 3 in, right
48. Analog Shield Ground 2
49. SCART input 2 in, left
50. SCART input 2 in, right
51. 32 Analog Shield Ground 1
52. SCART input 1 in, left
53. SCART input 1 in, right
54. Reference voltage IF A/D converter
55. Mono input
56. Analog ground
57. Analog power supply +5 V
58. IF input 1
59. 24 IF common
60. IF input 2 (if ANA_IN1+ is used only, connect to AVSS with 50 pF capacitor)
61. Test pin
62. Crystal oscillator
63. Crystal oscillator
64. Test pin

TDA 4470

Features:

- 5 V supply voltage; low power consumption
- Active carrier generation by FPLL principle (frequency - phase - locked - loop) for true synchronous demodulation.
- Very linear video demodulation, good pulse response and excellent intermodulation figures.
- VCO circuit is operating on picture carrier frequency, the VCO frequency is switchable for L' - mode.
- Alignment - free AFC without external reference circuit, polarity of the AFC curve is switchable.
- VIF-AGC for negative modulated signals (peak sync detection) and for positive modulation (peak white / black level detector).
- Tuner AGC with adjustable take over point
- Alignment-free quasi parallel sound (QPS) mixer for FM / NICAM sound IF signals.
- Intercarrier output signal is gain controlled (necessary for digital sound processing).
- Complete alignment - free AM demodulator with gain controlled AF output.
- Separate SIF - AGC with average detection.
- Two independent SIF inputs.
- Parallel operation of the AM demodulator and QPS mixer (for NICAM - L stereo sound)
- Package and relevant pinning is compatible with the single standard version TDA4472, simplifies the design of an universal IF module

PINNING

1. SIF1 input (symmetrical)
2. SIF1 input (symmetrical)
3. Input selector switch
4. Ground
5. SIF - AGC (time constant)
6. VIF input (symmetrical)
7. VIF input (symmetrical)
8. VIF AGC (time constant)
9. Ground
10. Take over point, tuner AGC
11. Tuner AGC output current
12. Video output
13. Standart switch
14. L' switch
15. Black level capacitor
16. Ground
17. Internal reference voltage
18. Loop filter
19. AFC switch
20. VCO circuit
21. VCO circuit
22. AFC output
23. Supply voltage
24. Intercarrier output
25. AF output - AM sound
26. Offset compensation
27. SIF 2 input (symmetrical)
28. SIF 2 input (symmetrical)

S-24C08A

General description:

The S-24C08A is a series of 2-wire , low power 8Kbit EEPROM with a wide operating range. It is organized as 1K-word X 8-bit. It is capable of page write and sequential read.

Features:

- Power consumption
 - standby : 1.0 uA Max. (Vcc = 5.5 V)
 - Operating : 0.8 mA Max. (Vcc = 5.5 V f=400kHz)
 - 0.4 mA Max. (Vcc = 4.5 V f=100kHz)
- Operating voltage range
 - Write : 2.5 V to 5.5 V
 - Read : 1.8 V to 5.5 V
- Page write
 - 16 bytes
- Sequential read capable
- Endurance : 100.000 cycles / word
- Data retention : 10 years
- Write Protection
- 8 K bit

PIN FUNCTIONS

Pin No	Name	Function
1	AO	Connected to ground
2	A1	Connected to ground
3	A2	Connected to ground
4	A3	Connected to ground
5	SDA	Serial data input/output
6	SCL	Serial clock input
7	WP	Write Protection Pin
		· Connected to Vcc : Protection valid
		· Connected to Ground : Protection invalid
8	Vcc	Power Supply

TDA1308:

Features:

- Wide temperature range
- No switch ON/OFF clicks
- Excellent power supply ripple rejection
- Low power consumption
- Short-circuit resistant
- High performance
 - high signal-to-noise ratio
 - high slew rate
 - low distortion
- Large output voltage swing

PINNING

	PIN VALUE
1. Output A (Voltage swing)	: Min : 0.75V, Max : 4.25V
2. Inverting input A	: Vo(clip) : Min : 1400mVrms
3. Non-inverting input A	: 2.5V
4. Ground	: 0V
5. Non-inverting input B	: 2.5V
6. Inverting input B	: Vo(clip) : Min : 1400mVrms
7. Output B (Voltage swing)	: Min : 0.75V, Max : 4.25V
8. Positive supply	

G1965M:

Features:

- TV IF filter with Nyquist slope and sound shelf at typ. 20.4dB
- High colour carrier level at typ. 1.0dB
- Constant group delay
- Insertion attenuation typ. 15.0dB

PINNING

1. Input
2. Input-ground
3. Chip carrier-ground

MSP 3430G

General Description

The MSP3430G is the BTSC version of the MSP34X0G series Multi Standard Sound Processors.

Features

- Standard Selection with single I 2 C transmission
- Automatic Standard Detection of terrestrial TV standards
- Automatic Sound Selection (mono/stereo/bilingual), new registers MODUS, STATUS
- Two selectable sound IF (SIF) inputs
- Automatic Carrier Mute function
- Interrupt output programmable (indicating status change)
- Loudspeaker / Headphone channel with volume, balance, bass, treble, loudness
- AVC: Automatic Volume Correction
- Subwoofer output with programmable low-pass and complementary high-pass filter
- 5-band graphic equalizer for loudspeaker channel
- Spatial effect for loudspeaker channel
- Four Stereo SCART (line) inputs, one Mono input; two Stereo SCART outputs
- Complete SCART in/out switching matrix
- Two I 2 S inputs; one I 2 S output
- Dolby Pro Logic with DPL 351xA coprocessor
- Demodulation of the BTSC multiplex signal and the SAP channel
- Alignment free digital DBX noise reduction for BTSC Stereo and SAP
- BTSC stereo separation (MSP 3420/40G also EIA-J) significantly better than spec.
- SAP and stereo detection for BTSC system
- Demodulation of the FM-Radio multiplex signal

PINNING

1. Audio clock output (18.432 MHz)
2. Not connected
3. Not connected
4. D_CTR_I/O_1
5. D_CTR_I/O_0
6. I2C Bus address select
7. Stand-by (low-active)
8. Not connected
9. I2C clock
10. I2C data
11. I2S clock
12. I2S word strobe
13. I2S data output
14. I2S1 data input
15. ADR data output
16. ADR word strobe
17. ADR clock
18. Digital power supply 5 V
19. Digital ground
20. I 2 S2-data input
21. Not connected
22. Not connected
23. Not connected
24. Power-on-reset
25. Headphone out, right
26. Headphone out, left
27. Reference ground 2
28. Loudspeaker out, right
29. Loudspeaker out, left
30. Not connected
31. Subwoofer output
32. Not connected
33. SCART output 2, right
34. SCART output 2, left
35. Reference ground 1
36. SCART output 1, right
37. SCART output 1, left
38. Volume capacitor AUX
39. Analog power supply 8 V
40. Volume capacitor MAIN
41. Analog ground
42. Analog reference voltage
43. SCART 4 input, left
44. SCART 4 input, right
45. Analog Shield Ground 4
46. SCART 3 input, left
47. SCART 3 input, right
48. Analog Shield Ground 2
49. SCART 2 input, left
50. SCART 2 input, right
51. Analog Shield Ground 1
52. SCART 1 input, left
53. SCART 1 input, right
54. Reference voltage IF A/D converter
55. Mono input
56. Analog ground
57. Analog power supply 5 V
58. IF input 1
59. IF common (can be left vacant, only if IF input 1 is also not in use)
60. IF input 2 (can be left vacant, only if IF input 1 is also not in use)
61. Test pin
62. Crystal oscillator
63. Crystal oscillator
64. Test pin

DPL 3519A DOLBY SURROUND PROLOGIC IC.

The DPL 3519A processor is designed to decode Dolby encoded surround sound. The IC integrates the complete Dolby Surround Pro Logic decoding on chip without any necessary external circuitry. The DPL 3519A is designed as a coprocessor to the MSP family. Together with the MSP, a TV set with up to six outputs (L,R,C,SUB,SL,SR) can be developed together with headphones and several line outputs.

Features:

- Full Dolby Surround Pro Logic Adaptive Matrix
- Pseudo-surround mode for signals not encoded in Dolby Surround
- PANORAMA sound mode (3-D Surround sound via 2 loudspeakers)
- Noise sequencer
- Automatic input balance control
- 7 kHz low-pass filter
- 100 Hz low-pass filter for subwoofer
- Modified Dolby B-type NR decoder
- 30 ms surround delay according to table created by Dolby Laboratories (1 ms steps)
- 2 I²S input channels (e.g. MSP and DRPA)
- 2 I²S output channels, freely programmable with sound channels L/R (resp. L _ C/R _ C), C/S, Sub or I²S input
- Mode control: normal/phantom/wide/three channel/center off/panorama sound/stereo bypass
- Surround matrix mode control: adaptive/passive/effect
- Additional surround basewidth effect
- Reverberation of surround signals
- 2 digital input/output pins
- 1 digital input pin
- Master volume control in dB units
- Level Trim for L, C, R, S in dB units, _ 12 dB
- Identical treble/bass/loudness function for L, C, R, S
- Separate volume control for two surround outputs
- Additional line output for HIFI receiver connection (SCART output). Volume for this output is in dB units.
- 3 pairs of D/A converters
- Scart switches

PINNING

1.	NC	Not connected
2.	NC	Not connected
3.	NC	Not connected
4.	I ² S_DA_IN1	I ² S1 data input
5.	I ² S_DA_OUT1	I ² S1 data output
6.	I ² S_WS	I ² S wordstrobe
7.	I ² S_CL	I ² S clock
8.	I ² C_DA	I ² C data
9.	I ² C_CL	I ² C clock
10.	NC	Not connected
11.	STANDBYQ	Standby (low-active)
12.	ADR_SEL	I ² C-Bus address select
13.	D_CTR_IO0	Digital control IO 0
14.	D_CTR_IO1	Digital control IO 1
15.	NC	Not connected
16.	NC	Not connected
17.	NC	Not connected
18.	AUD_CL_OUT	Audio clock output
19.	D_CTR_IN	Digital control input
20.	XTAL_OUT	Crystal oscillator
21.	XTAL_IN	Crystal oscillator
22.	TESTEN	Test pin
23.	NC	Not connected
24.	NC	Not connected
25.	NC	Not connected
26.	AVSUP	Analog power supply +5 V
27.	AVSS	Analog ground
28.	MONO_IN	Mono input
29.	VREFTOP	Reference voltage
30.	SC1_IN_R	Scart input 1 in, right
31.	SC1_IN_L	Scart input 1 in, left
32.	ASG1	Analog Shield Ground 1
33.	SC2_IN_R	Scart input 2 in, right
34.	SC2_IN_L	Scart input 2 in, left
35.	ASG2	Analog Shield Ground 2
36.	SC3_IN_R	Scart input 3 in, right
37.	SC3_IN_L	Scart input 3 in, left
38.	ASG4	Analog Shield Ground 4
39.	NC	Not connected
40.	NC	Not connected
41.	NC	Not connected

42.	AGND	Analog reference voltage high voltage part
43.	AHVSS	Analog ground
44.	CAPL_C1	Volume capacitor Channel1
45.	AHVSUP	Analog power supply 8.0 V
46.	CAPL_C2	Volume capacitor Channel2
47.	SC1_OUT_L	Scart output 1, left
48.	SC1_OUT_R	Scart output 1, right
49.	VREF1	Reference ground 1 high voltage part
50.	SC2_OUT_L	Scart output 2, left
51.	SC2_OUT_R	Scart output 2, right
52.	ASG3	Analog Shield Ground 3
53.	NC	Not connected
54.	NC	Not connected
55.	NC	Not connected
56.	DACC1_L	Analog output Channel 1, left
57.	DACC1_R	Analog output Channel 1, right
58.	VREF2	Reference ground 2 high voltage part
59.	DACC2_L	Analog output Channel 2, left
60.	DACC2_R	Analog output Channel 2, right
61.	RESETQ	Power-on-reset
62.	NC	Not connected
63.	NC	Not connected
64.	I ² S_DA_OUT2	I ² S2-data output
65.	I ² S_DA_IN2	I ² S2-data input
66.	DVSS	Digital ground
67.	DVSUP	Digital power supply +5 V
68.	NC	Not connected

SDA 9488X High-end Picture-In-Picture (PIP) IC

Features

- Single chip solution:
 - AD-conversion for CVBS or Y/C or YUV, multistandard color decoding, PLL for synchronization of inset channel, decimation filtering, embedded memory, RGB-matrix, DA-conversion, RGB/YUV switch, data-slicer and clock generation integrated on chip
- Analog inputs:
 - 3x CVBS or 1x CVBS and 1x Y/C or 1xYUV alternatively
 - Clamping of each input
 - All ADCs with 8 bit amplitude resolution
 - Automatic Gain Control (AGC) for Y and CVBS
- Inset Synchronization:
 - Multiple time constants for reliable synchronization
 - Automatic recognition of 625 lines / 525 lines standard
- Color Decoder:
 - PAL-B/G, PAL-M, PAL-N(Argentina), PAL60, NTSC-M, NTSC4.4 and SECAM
 - Adjustable Chroma Saturation
 - Hue Control for NTSC
 - Automatic Chroma Control (-24 dB ... +6 dB)
 - Automatic recognition of chroma standards: different search strategies selectable
 - Single crystal for all standards
 - IF-characteristic compensation filter
- Display Features:
 - 16:9 compatibility
 - Display on VGA and SVGA screen (f H limited to 40kHz)
 - Coarse positioning at 4 corners of the parent picture
- Output signal processing:
 - 7 Bit DAC
 - RGB or YUV switch: connection of an external source without PIP processing
 - Analog outputs: Y, +(B-Y), +(R-Y), or Y, -(B-Y), -(R-Y) or RGB.
 - Three RGB matrices available: NTSC(Japan), NTSC(USA) or EBU
 - Slicing of closed-caption or WSS data ('violence blocking capability')
- I²C-Bus control (400 kHz)
- High stability clock generation
- SDA 9388X / SDA 9389X pinout compatibility
- 3.3V supply voltage (5V input capable)

PINNING

1.	XIN	crystal oscillator (input) or crystal clock (from another IC)
2.	XQ	crystal oscillator (output)
3.	HSP	horizontal sync for parent channel
4.	VSP	vertical sync for parent channel
5.	SDA	I ² C-bus data
6.	SCL	I ² C-bus clock
7.	VDD	digital supply voltage
8.	VSS	digital ground
9.	I ² C	I ² C Address

10.	INT	interrupt
11.	IN1	V/R Input for external YUV/RGB source
12.	IN2	Y/G Input for external YUV/RGB source
13.	IN3	U/B Input for external YUV/RGB source
14.	FSW	fast switch input for YUV/RGB switch
15.	SEL	fast blanking output for PIP
16.	OUT3	analog output: chrominance signal +(B-Y) or -(B-Y) or B
17.	OUT2	analog output: luminance signal Y or G
18.	OUT1	analog output: chrominance signal +(R-Y) or -(R-Y) or R
19.	VDDA2	analog supply voltage (V DDA) for DAC
20.	VSSA2	analog ground (V SS) for DAC
21.	VREFH	reference voltage for ADC and DAC (high)
22.	VDDA1	analog supply voltage (V DDA) for ADC
23.	VSSA1	analog ground (Vss) for ADC
24.	CVBS3	CVBS Input 3 or C (selectable via I ² C-bus)
25.	VREFL	reference voltage for ADC (low)
26.	CVBS2	CVBS Input 2 or Y (selectable via I ² C-bus)
27.	VREFM	reference voltage for ADC (medium)
28.	CVBS1	CVBS Input 1 (selectable via I ² C-bus)

TDA9886

I²C-bus controlled single/multistandard alignment-free IF-PLL

The TDA9886 is an alignment-free multistandard (PAL, SECAM and NTSC) vision IF signal PLL demodulator for positive and negative modulation.

Features

- 5 V supply voltage
- Gain controlled wide-band Vision Intermediate Frequency (VIF) amplifier (AC-coupled)
- Multistandard demodulation with active carrier regeneration
- Gated phase detector for L/L accent standard
- Fully integrated VIF Voltage Controlled Oscillator (VCO), alignment-free; frequencies switchable for all negative and positive modulated standards via I²C-bus
- Digital acquisition help, VIF frequencies of 33.4, 33.9, 38.0, 38.9, 45.75 and 58.75 MHz
- 4 MHz reference frequency input [signal from PLL tuning system] or operating as crystal oscillator
- VIF Automatic Gain Control (AGC) detector for gain control,
- Fully digital Automatic Frequency Control (AFC) detector with 4-bit digital-to-analog converter;
- Alignment-free selective FM-PLL demodulator with high linearity and low noise
- I²C-bus control for all functions

PINNING

1.	VIF1	VIF differential input 1
2.	VIF2	VIF differential input 2
3.	OP1	Output 1 (open-collector)
4.	FMPLL	FM-PLL for loop filter
5.	DEEM	De-emphasis output for capacitor
6.	AFD	AF decoupling input for capacitor
7.	DGND	Digital ground
8.	AUD	Audio output
9.	TOP	Tuner AGC TakeOver Point (TOP)
10.	SDA	I ² C-bus data input/output
11.	SCL	I ² C-bus clock input
12.	SIOMAD	Sound intercarrier output and MAD select
13.	NC	Not connected
14.	TAGC	Tuner AGC output
15.	REF	4 MHz crystal or reference input
16.	VAGC	VIF-AGC for capacitor
17.	CVBS	Video output
18.	AGND	Analog ground
19.	VPLL	VIF-PLL for loop filter
20.	VP	Supply voltage (+5 V)
21.	AFC	AFC output
22.	OP2	Output 2 (open-collector)
23.	SIF1	SIF differential input 1
24.	SIF2	SIF differential input 2

AK19PRO CHASSIS MANUAL ADJUSTMENTS PROCEDURE

In order to enter the service menu, first enter the installation menu and then press the digits 4, 7, 2 and 5 respectively.

For ADJUST settings:

Select **Adjust** using ∇ or \triangle button and press \triangleright or \triangleleft button to enter it. To select different adjust parameters, use ∇ or \triangle button. To change the selected parameter, use \triangleright or \triangleleft button.

WHITE BALANCE ADJUSTMENT:

The following three parameters are used to make white balance adjustment. To do this, use a Colour Analyser. Using white point RED, white point GREEN and white point BLUE parameters, insert the + sign in the square which is in the middle of the screen.

ADJUST 00 = White Point RED

ADJUST 01 = White Point GREEN

ADJUST 02 = White Point BLUE

AGC ADJUSTMENT:

In order to do AGC adjustment, enter a 60dBmV RF signal level from channel C-12.

Connect a digital voltmeter to pin 1 of the tuner. Change the AGC parameter until you see 3.70VDC on voltmeter display. Check that picture is normal at 90dBmV signal level.

ADJUST 03 = AGC

IF-PLL NEGATIVE ADJUSTMENT (Only with PLL tuner):

AFC adjustment is down automatically by the video processor and it must be set 80 for Pal as a fixed value.

ADJUST 04 = IF-PLL Negative

IF-PLL POSITIVE ADJUSTMENT (Only with PLL tuner):

AFC adjustment is down automatically by the video processor and it must be set 80 for Secam L' as a fixed value.

ADJUST 05 = IF-PLL Positive

LUMINANCE DELAY ADJUSTMENT (with only TDA 8844 video processor):

ADJUST 06 = Y-Delay PAL

Enter a PAL B/G colour and black-white bar test pattern via RF. Adjust Y-Delay PAL till the colour transients on the colour bar of the pattern become as sharper and colours between transients do not mix with each other as possible.

Note: If the SAW filter is one of the G1965M, J1951M, J3950M, K2958M, K2962M, G3957M, K6256K, K6259K or M1963M, there is constant group delay distortion, so for an equal delay of the luminance and chrominance signal the delay must be set at a value of 160nS. This means the adjustment must be set to the maximum value.

ADJUST 07 = Y-Delay SECAM

Enter a SECAM B/G colour and black-white bar test pattern via RF. Adjust Y-Delay SECAM till the colour transients on the colour bar of the pattern become as sharper and colours between transients do not mix with each other as possible.

Note: If the SAW filter is one of the G1965M, K2958M, K2962M, G3957M, K6256K or K6259K, there is constant group delay distortion, so for an equal delay of the luminance and chrominance signal the delay must be set at a value of 160nS. This means the adjustment must be set to the maximum value.

ADJUST 08 = Y-Delay NTSC

Enter an NTSC colour and black-white bar test pattern via RF. Adjust Y-Delay NTSC till the colour transients on the colour bar of the pattern become as sharper and colours between transients do not mix with each other as possible.

Note: If the SAW filter is M1963M, there is constant group delay distortion, so for an equal delay of the luminance and chrominance signal the delay must be set at a value of 160nS. This means the adjustment must be set to the maximum value.

ADJUST 09 = Y-Delay Other

In case of other colour systems, enter this system with colour and black-white bar test pattern via RF. Adjust Y-Delay Other till the colour transients on the colour bar of the pattern become as sharper and colours between transients do not mix with each other as possible. Normally for an equal delay of the luminance and chrominance signal the delay must be set at a value of 160nS. This means the adjustment must be set to the maximum value.

VERTICAL ZOOM ADJUSTMENT (only for 110ø picture tubes):

ADJUST 10 (4:3 PICTURE MODE), ADJUST 21 (16:9 PICTURE MODE), ADJUST 32 (CINEMA PICTURE MODE), ADJUST 43 (SUBTITLE PICTURE MODE), ADJUST 54 (SUPER ZOOM PICTURE MODE) = Vertical Zoom

Enter a PAL B/G circle test pattern via RF. Change vertical zoom till you see the upper and lower limit of the circle as close to the upper and lower limit of the picture tube as possible.

VERTICAL SCROLL ADJUSTMENT (only for 110ø picture tubes):

ADJUST 11 (4:3 PICTURE MODE), ADJUST 22 (16:9 PICTURE MODE), ADJUST 33 (CINEMA PICTURE MODE), ADJUST 44 (SUBTITLE PICTURE MODE), ADJUST 55 (SUPER ZOOM PICTURE MODE) = Vertical Scroll

Enter a PAL B/G circle test pattern via RF. Change vertical scroll till you see the circle exactly in the middle of the screen.

4:3 HORIZONTAL SHIFT ADJUSTMENT:

ADJUST 12 (4:3 PICTURE MODE), ADJUST 23 (16:9 PICTURE MODE), ADJUST 34 (CINEMA PICTURE MODE), ADJUST 45 (SUBTITLE PICTURE MODE), ADJUST 56 (SUPER ZOOM PICTURE MODE) = Horizontal Shift

Enter a RED PURITY test pattern via RF. Change horizontal shift till the picture is horizontally centred. Check whether this adjustment is correct after completing Service Mode Adjustment.

VERTICAL SLOPE ADJUSTMENT:

ADJUST 13 (4:3 PICTURE MODE), ADJUST 24 (16:9 PICTURE MODE), ADJUST 35 (CINEMA PICTURE MODE), ADJUST 46 (SUBTITLE PICTURE MODE), ADJUST 57 (SUPER ZOOM PICTURE MODE) = Vertical Slope

Enter a CROSS-HATCH B/G test pattern via RF. Change vertical slope till the size of squares on both the upper and lower part of test pattern become equal to the squares laying on the vertical centre of the test pattern. Check and readjust VERTICAL SLOPE item if the adjustment becomes improper after some other geometric adjustments are done.

VERTICAL AMPLITUDE ADJUSTMENT:

ADJUST 14 (4:3 PICTURE MODE), ADJUST 25 (16:9 PICTURE MODE), ADJUST 36 (CINEMA PICTURE MODE), ADJUST 47 (SUBTITLE PICTURE MODE), ADJUST 58 (SUPER ZOOM PICTURE MODE) = Vertical Amplitude

Enter a PAL B/G test pattern via RF. Change vertical slope till horizontal black lines on both the upper and lower part of the test pattern become very close to the upper and lower horizontal sides of picture tube and nearly about to disappear. Check and readjust VERTICAL AMPLITUDE item if the adjustment becomes improper after some other geometric adjustments are done.

S-CORRECTION ADJUSTMENT:

ADJUST 15 (4:3 PICTURE MODE), ADJUST 26 (16:9 PICTURE MODE), ADJUST 37 (CINEMA PICTURE MODE), ADJUST 48 (SUBTITLE PICTURE MODE), ADJUST 59 (SUPER ZOOM PICTURE MODE) = S-Correction

Enter a PAL B/G circle test pattern via RF. Change S-correction till the middle part of the circle is as round as possible.

VERTICAL SHIFT ADJUSTMENT:

ADJUST 16 (4:3 PICTURE MODE), ADJUST 27 (16:9 PICTURE MODE), ADJUST 38 (CINEMA PICTURE MODE), ADJUST 49 (SUBTITLE PICTURE MODE), ADJUST 60 (SUPER ZOOM PICTURE MODE) = Vertical Shift

Enter a PAL B/G test pattern via RF. Change Vertical Shift till the test pattern is vertically centred, i.e. horizontal line at the centre pattern is in equal distance both to upper and lower side of the picture tube. Check and readjust Vertical Shift item if the adjustment becomes improper after some other geometric adjustments are done.

EW WIDTH ADJUSTMENT (only for 110ø picture tubes):

ADJUST 17 (4:3 PICTURE MODE), ADJUST 28 (16:9 PICTURE MODE), ADJUST 39 (CINEMA PICTURE MODE), ADJUST 50 (SUBTITLE PICTURE MODE), ADJUST 61 (SUPER ZOOM PICTURE MODE) = EW Width

Enter a PAL B/G test pattern via RF. Change EW Width till the vertical black and white bars on both left and right side of the pattern exactly disappear.

EW PARABOLA WIDTH ADJUSTMENT (only for 110ø picture tubes):

ADJUST 18 (4:3 PICTURE MODE), ADJUST 29 (16:9 PICTURE MODE), ADJUST 40 (CINEMA PICTURE MODE), ADJUST 51 (SUBTITLE PICTURE MODE), ADJUST 62 (SUPER ZOOM PICTURE MODE) = EW Parabola Width

Enter a PAL B/G test pattern via RF. Change EW Parabola Width till vertical lines close to the both sides of the picture frame become parallel to vertical sides of picture tube. Check and readjust EW Parabola Width item if the adjustment becomes improper after some other geometric adjustments are done.

EW CORNER PARABOLA ADJUSTMENT (only for 110ø picture tubes):

ADJUST 19 (4:3 PICTURE MODE), ADJUST 30 (16:9 PICTURE MODE), ADJUST 41 (CINEMA PICTURE MODE), ADJUST 52 (SUBTITLE PICTURE MODE), ADJUST 63 (SUPER ZOOM PICTURE MODE) = EW Corner Parabola

Enter a PAL B/G test pattern via RF. Change EW Corner Parabola till vertical lines at the corners of both sides of picture frame become vertical and parallel to vertical corner sides of picture tube. Check and readjust EW Corner Parabola item if the adjustment becomes improper after some other geometric adjustments are done.

EW TRAPEZIUM ADJUSTMENT (only for 110ø picture tubes):

ADJUST 20 (4:3 PICTURE MODE), ADJUST 31 (16:9 PICTURE MODE), ADJUST 42 (CINEMA PICTURE MODE), ADJUST 53 (SUBTITLE PICTURE MODE), ADJUST 64 (SUPER ZOOM PICTURE MODE) = EW Trapezium

Enter a PAL B/G test pattern via RF. Change EW Trapezium till vertical lines, especially lines at the sides of the picture frame became parallel to the both sides of picture tube as close as possible. Check and readjust EW Trapezium item if the adjustment becomes improper after some other geometric adjustments are done.

ADJUST 65 OSD position

Determines the horizontal position of the OSD's.

For OPTION settings:

Select **OPTION** using ∇ or \triangle button and press \triangleright or \triangleleft button to enter it. To select different option bytes, use ∇ or \triangle button. Usine

▷ or ◁ button select the bit you want to set and then set it pressing 0 or 1 button.

Option 0. Video Processor Crystal indication

B7:	Ina	=	x
B6:	Inb	=	x
B5:	Inc	=	x
B4:	Akb	=	0 ((0x 02) Hue B6 (Black current stabilisation))
B3:	Foa	=	x
B2:	Fob	=	x
B1:	Xa	=	note1 (Crystal indication)
B0:	Xb	=	note1 (Crystal indication)

note 1:

Xa,Xb

0,1	:	Pal M, Pal N, Ntsc M Pin 34 : 3.58 (1, 2 or 3 crystals) Pin 35 : No crystal
1,0	:	Pal BG, Pal DK, Pal I/I+, Secam BG, Secam DK, Secam L/L', Secam K1 Pin 34 : No crystal Pin 35 : 4.43 (1 crystal)
1,1	:	Pal BG, Pal DK, Pal I/I+, Secam BG, Secam DK, Secam L/L', Secam K1, Pal M, Pal N, Ntsc M Pin 34 : 3.58 (1, 2 or 3 crystals) Pin 35 : 4.43 (1 crystal)

Option 01 (0x01) Video Processor Decoder Mode Register

B7:	Forf	=	1 (Forced fiel frequency auto (50Hz when line not synchronized))
B6:	Fors	=	1 (Forced fiel frequency auto (50Hz when line not synchronized))
B5:	DI	=	x
B4:	Stb	=	x (Stand-by)
B3:	Poc	=	x
B2:	Cm2	=	x
B1:	Cm1	=	x
B0:	Cm0	=	x

Option 02 (0x18) Video Processor Blanking Control

B7:	Oso	=	0 (Switch-off in vertical overscan)
B6:	Vsd	=	0 (Vertical scan disable)
B5:	Cb	=	0 (Chroma bandpass center frequency)
B4:	Bls	=	0 (Blue Stretch)
B3:	Bks	=	0 (Black Stretch)
B2:	le1	=	x
B1:	Afw	=	x
B0:	Bb	=	0 (Blue back when no video signal is identified)

Option 03 (0x 19) Video Processor Cathode Drive Level

B7:	Hob	=	x note 1
B6:	Bps	=	0 (Bypass of chroma base-band delay line)
B5:	Adl	=	x
B4:	Cmb	=	note 2 (Enable external comb filter)
B3:	Ast	=	x
B2:	Cl2	=	1 (Cathode drive level) +57%
B1:	Cl1	=	0 (Cathode drive level) +57%
B0:	Cl0	=	0 (Cathode drive level) +57%

note 1:

0	=	Pal+ helper output blanking disabled
1	=	Pal+ helper output blanking enabled

note 2:

0	=	Comb filter disabled
1	=	Comb filter enabled

Option 04

B7:	lfs	=	x
B6:	Mod	=	x
B5:	Vsw	=	x
B4:	Sm	=	x
B3:	Ds	=	0 ((0x1A) LuminanceDelay (Dynamic skin control on/off))
B2:	Dsa	=	0 ((0x1A) LuminanceDelay (Dynamic skin control angle))
B1:	Fav	=	0 ((0x14) (VolumeControl B6 (Fixed Audio Volume)))
B0:	Lfa	=	x

Option 05 CTI Available

B7:	Hbl	=	0 ((0x02) Hue (RGB blanking mode (TDA8844/47/54/57)))
-----	-----	---	---

B6 : Lbm = 0 ((0x09) Vertical Amplitude (Long blanking mode))
 B5 : Vim = x
 B4 : Gai = note 1 ((0x03) Horizontal Shift B6 (Gain of luminace channel))
 B3 : Nci = x
 B2 : Stm = x
 B1 : Vid = x
 B0 : ... = x

note 1:

0 = CTI disabled
 1 = CTI available

Option 06

B7 : Hco = x
 B6 : Evg = 1((0x0A) S-Correction (Enable vertical guard (RGB blanking)))
 B5 : Sbl = 1((0x0B) Vertical Shift B7 (Service Blanking))
 B4 : Prd = x
 B3 : Mat = note 1 ((0x 0E White Point Blue B7(PAL-SECAM/NTSC matrix(TDA8841/42/44/54)))
 B2 : Rbl = x
 B1 : Cor = x
 B0 : ... = x

Option 07 Country Value, PLL_VST, PIP Zoom Mode, PIP Position

B7 : C3 = note 1
 B6 : C2 = note 1
 B5 : C1 = note 1
 B4 : C0 = note 1
 B3 : P/V = note 2
 B2 : PZM = note 3
 B1 : PP1 = note 4
 B0 : PP0 = note 4

note 1:

C3,C2,C1,C0 = Country
 0,0,0,0 = ? Not allowed
 0,0,0,1 = D Germany
 0,0,1,0 = A Austria
 0,0,1,1 = CH Switzerland
 0,1,0,0 = I Italy
 0,1,0,1 = F France
 0,1,1,0 = B Belgium
 0,1,1,1 = DK Denmark
 1,0,0,0 = S Sweden
 1,0,0,1 = N Norway
 1,0,1,0 = SF Finland
 1,0,1,1 = GB Great Britain
 1,1,0,0 = NL Netherlands
 1,1,0,1 = P Portugal
 1,1,1,0 = E Spain
 1,1,1,1 = TR Turkey

note 2:

P/V : PLL / VST bit

1 : = VST Tuner
 0 : = PLL Tuner

note 3:

PZM : PIP zoom mode

1 : = 16 : 9
 0 : = 4:3

note 4:

PP1, PP0 : PIP position

00 : = LEFT-TOP
 01 : = LEFT BOTTOM
 10 : = RIGHT-BOTTOM
 11 : = RIGHT-TOP

Option 08 Tube Size, Default Zoom mode, IF Frequency

B7 : Tub = note 1
 B6 : Z.Def = note 2
 B5 : IfI = note 3
 B4 : IfD = note 4
 B3 : IfM = note 5
 B2 : Aps = note 6
 B1 : Hp = note 7
 B0 : Hue = note 8

note 1:

Tub : Tube size

0 = 16:9 Tube size
1 = 4:3 Tube size

note 2:

Z.Def : Zoom Default Mode
0 = 16:9 mode default
1 = 4:3 mode default

note 3:

lfl
0 = IF I 39.5 MHz Great Britain I, Only UHF Tuner
1 = IF I 38.9 MHz Ireland I+, Standard Tuner

note 4:

lfd
0 = IF DK 38.0 MHz
1 = IF DK 38.9 MHz

note 5:

lfm
0 = IF M,N 45.75 MHz S&N American Models, Tuner UV1336 (Only Pal M/N, Ntsc M)
1 = IF M,N 38.9 MHz Euro M,N Models , Standard Tuner

Note 6:

Aps (Only for PLL)
0 = A.P.S. done
1 = A.P.S. set

note 7:

Hp : Headphone available
0 = No headphone
1 = Headphone available

note 8:

Hue : Hue Available
0 = No hue
1 = Hue available

Option 09 Standard Available

B7 : NM = note 1
B6 : PN = note 1
B5 : PM = note 1
B4 : K1 = note 1
B3 : L = note 1
B2 : I = note 1
B1 : DK = note 1
B0 : BG = note 1

note 1:

0 = Standard not supported
1 = Standard available

Option 10 Scart , Combfilter, Teletext Language

B7 : TXL2 = note 1
B6 : TXL1 = note 1
B5 : TXL0 = note 1
B4 : Com = note 2
B3 : SvH = note 3
B2 : Fro = note 4
B1 : Sc2 = note 5
B0 : .. = x

note 1:

TXL2, TXL1, TXL0: Primary Language

000 = WEST, {{ENGLISH}, {FRENCH}, {SCAND}, {CZECH }, {GERMAN}, {SPANISH}, {ITALIAN}, {ENGLISH }}
001 = WEST-EAST{{POLISH}, {FRENCH}, {SCAND}, {CZECH}, {GERMAN}, {SERBIAN}, {ITALIAN}, {RUMANIAN}}
010 = WEST-TR{{ENGLISH}, {FRENCH}, {SCAND}, {TURKISH}, {GERMAN}, {SPANISH}, {ITALIAN}, {GREEK}}
011 = EAST (Cyrillic) {{ENGLISH}, {RUSSIAN}, {HUNGARIAN}, {CZECH}, {GERMAN}, {UKRAINIAN}, {LETTISH}, {RUMANIAN}}
100 = ARABIC{{ENGLISH}, {FRENCH}, {ENGLISH}, {ENGLISH}, {ENGLISH}, {HEBREW}, {ENGLISH}, {ARABIC}}

note 2:

0 = Comb filter not supported
1 = Comb filter available

note 3:

0 = S-VHS not supported
1 = S-VHS available

note 4:

0 = Front/Back AV (AV-3) not supported
1 = Front/Back AV (AV-3) available

note 5:

0 = Scart 2 not supported
1 = Scart 2 available

Option 11 PII tuner control 1 byte

B7 : b7 = note 1

B6 : b6 = note 1
 B5 : b5 = note 1
 B4 : b4 = note 1
 B3 : b3 = note 1
 B2 : b2 = note 1
 B1 : b1 = note 1
 B0 : b0 = note 1

note 1 :

PLL tuner control 1 byte

		b7 b6 b5 b4 b3 b2 b1 b0
Philips	UV1316MK2	1 0 0 0 1 1 1 0
Alps	TELE9X062A	1 0 0 0 1 1 1 0
Samsung	TEXX2949PG28A	1 0 0 0 1 1 1 0
Siel	PT060	1 0 0 0 1 1 1 0
Temic	5001PH5-3X0003	1 0 0 0 1 1 1 0
Thomson	CTT5020	1 0 0 0 1 1 1 0

Option 12 PLL tuner control 2 low byte

B7 : b7 = note 1
 B6 : b6 = note 1
 B5 : b5 = note 1
 B4 : b4 = note 1
 B3 : b3 = note 1
 B2 : b2 = note 1
 B1 : b1 = note 1
 B0 : b0 = note 1

note 1 :

PLL tuner control 2 low byte

		b7 b6 b5 b4 b3 b2 b1 b0
Philips	UV1316MK2	1 0 1 0 0 0 0 1
Alps	TELE9X062A	0 0 0 0 0 0 0 1
Samsung	TEXX2949PG28A	0 0 0 0 0 0 0 1
Siel	PT060	0 1 1 0 0 0 0 0
Temic	5001PH5-3X0003	0 0 0 0 0 0 1 0
Thomson	CTT5020	0 0 0 0 0 0 1 1

Option 13 PLL tuner control 2 mid byte

B7 : b7 = note 1
 B6 : b6 = note 1
 B5 : b5 = note 1
 B4 : b4 = note 1
 B3 : b3 = note 1
 B2 : b2 = note 1
 B1 : b1 = note 1
 B0 : b0 = note 1

note 1 :

PLL tuner control 2 mid byte

		b7 b6 b5 b4 b3 b2 b1 b0
Philips	UV1316MK2	1 0 0 1 0 0 1 0
Alps	TELE9X062A	0 0 0 0 0 0 1 0
Samsung	TEXX2949PG28A	0 0 0 0 0 0 1 0
Siel	PT060	0 1 0 1 0 0 0 0
Temic	5001PH5-3X0003	0 0 0 0 0 1 0 0
Thomson	CTT5020	0 0 0 0 0 1 1 0

Option 14 PLL tuner control 2 high byte

B7 : b7 = note 1
 B6 : b6 = note 1
 B5 : b5 = note 1
 B4 : b4 = note 1
 B3 : b3 = note 1
 B2 : b2 = note 1
 B1 : b1 = note 1
 B0 : b0 = note 1

note 1 :

PLL tuner control 2 high byte

		b7	b6	b5	b4	b3	b2	b1	b0
Philips	UV1316MK2	0	0	1	1	0	1	0	0
Alps	TELE9X062A	0	0	0	0	1	0	0	0
Samsung	TEXX2949PG28A	0	0	0	0	1	0	0	0
Siel	PT060	0	0	1	1	0	0	0	0
Temic	5001PH5-3X0003	0	0	0	0	0	0	0	1
Thomson	CTT5020	1	0	0	0	0	1	0	1

Option 15 PII tuner VHF LOW - VHF HIGH crossover low byte

B7 :	b7	=	note 1
B6 :	b6	=	note 1
B5 :	b5	=	note 1
B4 :	b4	=	note 1
B3 :	b3	=	note 1
B2 :	b2	=	note 1
B1 :	b1	=	note 1
B0 :	b0	=	note 1

note 1 :

PII tuner VHF LOW - VHF HIGH crossover low byte

		b7	b6	b5	b4	b3	b2	b1	b0	
Philips	UV1316MK2	0	0	0	0	1	0	1	0	(0A hex)
Alps	TELE9X062A	0	0	0	0	0	0	0	0	
Samsung	TEXX2949PG28A	0	0	0	0	1	0	1	0	
Siel	PT060	0	0	0	0	1	0	1	0	
Temic	5001PH5-3X0003	0	0	0	0	0	0	0	0	
Thomson	CTT5020	1	0	1	0	1	0	1	0	(AA hex)

Option 16 PII tuner VHF LOW - VHF HIGH crossover high byte

B7 :	b7	=	note 1
B6 :	b6	=	note 1
B5 :	b5	=	note 1
B4 :	b4	=	note 1
B3 :	b3	=	note 1
B2 :	b2	=	note 1
B1 :	b1	=	note 1
B0 :	b0	=	note 1

note 1 :

PII tuner VHF LOW - VHF HIGH crossover high byte

		b7	b6	b5	b4	b3	b2	b1	b0	
Philips	UV1316MK2	0	0	0	0	1	1	0	0	(0C hex)
Alps	TELE9X062A	0	0	0	0	0	0	0	0	
Samsung	TEXX2949PG28A	0	0	0	0	1	1	0	1	
Siel	PT060	0	0	0	0	1	1	0	1	
Temic	5001PH5-3X0003	0	0	0	0	0	0	0	0	
Thomson	CTT5020	0	0	0	0	1	0	0	1	(09 hex)

Option 17 PII tuner VHF HIGH - UHF crossover low byte

B7 :	b7	=	note 1
B6 :	b6	=	note 1
B5 :	b5	=	note 1
B4 :	b4	=	note 1
B3 :	b3	=	note 1
B2 :	b2	=	note 1
B1 :	b1	=	note 1
B0 :	b0	=	note 1

note 1 :

PII tuner VHF HIGH - UHF crossover low byte

		b7	b6	b5	b4	b3	b2	b1	b0	
Philips	UV1316MK2	1	1	1	0	0	0	1	0	(E2 hex)
Alps	TELE9X062A	0	0	0	0	0	0	0	0	
Samsung	TEXX2949PG28A	1	0	1	0	0	0	1	0	
Siel	PT060	1	0	1	0	0	1	0	0	
Temic	5001PH5-3X0003	0	0	0	0	0	0	0	0	
Thomson	CTT5020	1	0	1	0	0	0	1	0	(A2 hex)

Option 18. PII tuner VHF HIGH - UHF crossover high byte

B7 :	b7	=	note 1
------	----	---	--------

B6 : b6 = note 1
 B5 : b5 = note 1
 B4 : b4 = note 1
 B3 : b3 = note 1
 B2 : b2 = note 1
 B1 : b1 = note 1
 B0 : b0 = note 1

note 1 :

PII tuner VHF HIGH - UHF crossover high byte

		b7	b6	b5	b4	b3	b2	b1	b0	
Philips	UV1316MK2	0	0	0	1	1	1	1	0	(1D hex)
Alps	TELE9X062A	0	0	0	0	0	0	0	0	
Samsung	TEXX2949PG28A	0	0	0	1	1	1	1	0	
Siel	PT060	0	0	0	1	1	1	1	0	
Temic	5001PH5-3X0003	0	0	0	0	0	0	0	0	
Thomson	CTT5020	0	0	0	1	1	0	1	1	(1B hex)

Option 19 PIP PII tuner control 1 byte

B7 : b7 = note 1
 B6 : b6 = note 1
 B5 : b5 = note 1
 B4 : b4 = note 1
 B3 : b3 = note 1
 B2 : b2 = note 1
 B1 : b1 = note 1
 B0 : b0 = note 1

note 1 :

PII tuner control 1 byte

		b7	b6	b5	b4	b3	b2	b1	b0
Philips	UV1316MK2	1	0	0	0	1	1	1	0
Alps	TELE9X062A	1	0	0	0	1	1	1	0
Samsung	TEXX2949PG28A	1	0	0	0	1	1	1	0
Siel	PT060	1	0	0	0	1	1	1	0
Temic	5001PH5-3X0003	1	0	0	0	1	1	1	0
Thomson	CTT5020	1	0	0	0	1	1	1	0

Option 20 PIP PII tuner control 2 low byte

B7 : b7 = note 1
 B6 : b6 = note 1
 B5 : b5 = note 1
 B4 : b4 = note 1
 B3 : b3 = note 1
 B2 : b2 = note 1
 B1 : b1 = note 1
 B0 : b0 = note 1

note 1 :

PII tuner control 2 low byte

		b7	b6	b5	b4	b3	b2	b1	b0
Philips	UV1316MK2	1	0	1	0	0	0	0	1
Alps	TELE9X062A	0	0	0	0	0	0	0	1
Samsung	TEXX2949PG28A	0	0	0	0	0	0	0	1
Siel	PT060	0	1	1	0	0	0	0	0
Temic	5001PH5-3X0003	0	0	0	0	0	0	1	0
Thomson	CTT5020	0	0	0	0	0	0	1	1

Option 21 PIP PII tuner control 2 mid byte

B7 : b7 = note 1
 B6 : b6 = note 1
 B5 : b5 = note 1
 B4 : b4 = note 1
 B3 : b3 = note 1
 B2 : b2 = note 1
 B1 : b1 = note 1
 B0 : b0 = note 1

note 1 :

PII tuner control 2 mid byte

		b7	b6	b5	b4	b3	b2	b1	b0
Philips	UV1316MK2	1	0	0	1	0	0	1	0
Alps	TELE9X062A	0	0	0	0	0	0	1	0
Samsung	TEXX2949PG28A	0	0	0	0	0	0	1	0
Siel	PT060	0	1	0	1	0	0	0	0
Temic	5001PH5-3X0003	0	0	0	0	0	1	0	0
Thomson	CTT5020	0	0	0	0	0	1	1	0

Option 22 PIP PII tuner control 2 high byte

B7 :	b7	=	note 1
B6 :	b6	=	note 1
B5 :	b5	=	note 1
B4 :	b4	=	note 1
B3 :	b3	=	note 1
B2 :	b2	=	note 1
B1 :	b1	=	note 1
B0 :	b0	=	note 1

note 1 :

PII tuner control 2 high byte

		b7	b6	b5	b4	b3	b2	b1	b0
Philips	UV1316MK2	0	0	1	1	0	1	0	0
Alps	TELE9X062A	0	0	0	0	1	0	0	0
Samsung	TEXX2949PG28A	0	0	0	0	1	0	0	0
Siel	PT060	0	0	1	1	0	0	0	0
Temic	5001PH5-3X0003	0	0	0	0	0	0	0	1
Thomson	CTT5020	1	0	0	0	0	1	0	1

Option 23 PIP PII tuner VHF LOW - VHF HIGH crossover low byte

B7 :	b7	=	note 1
B6 :	b6	=	note 1
B5 :	b5	=	note 1
B4 :	b4	=	note 1
B3 :	b3	=	note 1
B2 :	b2	=	note 1
B1 :	b1	=	note 1
B0 :	b0	=	note 1

note 1 :

PII tuner VHF LOW - VHF HIGH crossover low byte

		b7	b6	b5	b4	b3	b2	b1	b0	
Philips	UV1316MK2	0	0	0	0	1	0	1	0	(0A hex)
Alps	TELE9X062A	0	0	0	0	0	0	0	0	
Samsung	TEXX2949PG28A	0	0	0	0	1	0	1	0	
Siel	PT060	0	0	0	0	0	0	0	0	
Temic	5001PH5-3X0003	0	0	0	0	0	0	0	0	
Thomson	CTT5020	1	0	1	0	1	0	1	0	(AA hex)

Option 24 PIP PII tuner VHF LOW - VHF HIGH crossover high byte

B7 :	b7	=	note 1
B6 :	b6	=	note 1
B5 :	b5	=	note 1
B4 :	b4	=	note 1
B3 :	b3	=	note 1
B2 :	b2	=	note 1
B1 :	b1	=	note 1
B0 :	b0	=	note 1

note 1 :

PII tuner VHF LOW - VHF HIGH crossover high byte

		b7	b6	b5	b4	b3	b2	b1	b0	
Philips	UV1316MK2	0	0	0	0	1	1	0	0	(0C hex)
Alps	TELE9X062A	0	0	0	0	0	0	0	0	
Samsung	TEXX2949PG28A	0	0	0	0	1	1	0	1	
Siel	PT060	0	0	0	0	0	0	0	0	
Temic	5001PH5-3X0003	0	0	0	0	0	0	0	0	
Thomson	CTT5020	0	0	0	0	1	0	0	1	(09 hex)

Option 25 PIP PII tuner VHF HIGH - UHF crossover low byte

B7 :	b7	=	note 1
------	----	---	--------

B6 : b6 = note 1
 B5 : b5 = note 1
 B4 : b4 = note 1
 B3 : b3 = note 1
 B2 : b2 = note 1
 B1 : b1 = note 1
 B0 : b0 = note 1

note 1 :

PII tuner VHF HIGH - UHF crossover low byte

		b7	b6	b5	b4	b3	b2	b1	b0	
Philips	UV1316MK2	1	1	1	0	0	0	1	0	(E2 hex)
Alps	TELE9X062A	0	0	0	0	0	0	0	0	
Samsung	TEXX2949PG28A	1	0	1	0	0	0	1	0	
Siel	PT060	0	0	0	0	0	0	0	0	
Temic	5001PH5-3X0003	0	0	0	0	0	0	0	0	
Thomson	CTT5020	1	0	1	0	0	0	1	0	(A2 hex)

Option 26 PIP PII tuner VHF HIGH - UHF crossover high byte

B7 : b7 = note 1
 B6 : b6 = note 1
 B5 : b5 = note 1
 B4 : b4 = note 1
 B3 : b3 = note 1
 B2 : b2 = note 1
 B1 : b1 = note 1
 B0 : b0 = note 1

note 1 :

PII tuner VHF HIGH - UHF crossover high byte

		b7	b6	b5	b4	b3	b2	b1	b0	
Philips	UV1316MK2	0	0	0	1	1	1	1	0	(1D hex)
Alps	TELE9X062A	0	0	0	0	0	0	0	0	
Samsung	TEXX2949PG28A	0	0	0	1	1	1	1	0	
Siel	PT060	0	0	0	0	0	0	0	0	
Temic	5001PH5-3X0003	0	0	0	0	0	0	0	0	
Thomson	CTT5020	0	0	0	1	1	0	1	1	(1B hex)

Option 27 LANGUAGE AVAILABLE 1

B7 : L7 = DANISH
 B6 : L6 = SWEDISH
 B5 : L5 = ITALIAN
 B4 : L4 = PORTUGUESE
 B3 : L3 = SPANISH
 B2 : L2 = FRENCH
 B1 : L1 = GERMAN
 B0 : L0 = ENGLISH

1 : Language available
 0 : Language not available

Option 28 LANGUAGE AVAILABLE 2

B7 : L15 = RUSSIA
 B6 : L14 = BULGARIAN
 B5 : L13 = RUMANIAN
 B4 : L12 = HRVATSKI
 B3 : L11 = POLISH
 B2 : L10 = CZECH
 B1 : L9 = HUNGARY
 B0 : L8 = TURKEY

1 : Language available
 0 : Language not available

Option 29 LANGUAGE AVAILABLE 3 and Zoom Mode Available

B7 : ZSP = SUPER ZOOM MODE
 B6 : ZSB = SUBTITLE ZOOM MODE
 B5 : ZCN = CINEMA ZOOM MODE

B4 : PMK = note 1
 B3 : L19 = Not used
 B2 : L18 = Not used
 B1 : L17 = ARABIC
 B0 : L16 = HEBREW

1 : Available
 0 : Not available

note 1 :

PMK : Picture mode key
 0 : Not available picture mode key from RC
 1 : available picture mode key from RC

OPTION 38. TV TELETEXT MODE SELECTION, Child Lock, Equalizer, Country

B7 : B7 = x
 B6 : C = note 2
 B5 : LM = 0
 B4 : EQ = 0
 B3 : ... = x
 B2 : CL = note 1
 B1 : T1 = x
 B0 : T0 = x

note 1 :

CL = Child Lock
 0 = Off
 1 = On (Active)

note 2 :

C = Country Line available / Aps available or not
 0 = Country Line not available / Aps not available
 1 = Country Line available / Aps available

OPTION 50. FM PRESCALE

B7 : b7 = note 1
 B6 : b6 = note 1
 B5 : b5 = note 1
 B4 : b4 = note 1
 B3 : b3 = note 1
 B2 : b2 = note 1
 B1 : b1 = note 1
 B0 : b0 = note 1

note 1 :

b7 b6 b5 b4 b3 b2 b1 b0

FM PRESCALE 0 0 0 0 1 1 0 0

OPTION 51. NICAM PRESCALE

B7 : b7 = note 1
 B6 : b6 = note 1
 B5 : b5 = note 1
 B4 : b4 = note 1
 B3 : b3 = note 1
 B2 : b2 = note 1
 B1 : b1 = note 1
 B0 : b0 = note 1

note 1 :

b7 b6 b5 b4 b3 b2 b1 b0

NICAM PRESCALE 0 0 1 0 1 1 0 1

OPTION 52. SCART PRESCALE and AVL Bit

B7 : b7 = note 1
 B6 : b6 = note 1
 B5 : b5 = note 1
 B4 : b4 = note 1
 B3 : b3 = note 1
 B2 : b2 = note 1
 B1 : b1 = note 1
 B0 : b0 = note 1

note 1 :

b7 b6 b5 b4 b3 b2 b1 b0

SCART PRESCALE 0 0 0 1 0 1 1 0

OPTION 53. I2S PRESCALE

B7 : b7 = note 1
 B6 : b6 = note 1
 B5 : b5 = note 1

B4 : b4 = note 1
 B3 : b3 = note 1
 B2 : b2 = note 1
 B1 : b1 = note 1
 B0 : b0 = note 1

note 1 :

b7 b6 b5 b4 b3 b2 b1 b0

I2S PRESCALE 0 0 0 0 0 1 1 0

OPTION 54. MSP SCART OUTPUT VOLUME

B7:b7 = note 1
 B6:b6 = note 1
 B5:b5 = note 1
 B4:b4 = note 1
 B3:b3 = note 1
 B2:b2 = note 1
 B1:b1 = note 1
 B0:b0 = note 1

note 1 :

b7 b6 b5 b4 b3 b2 b1 b0

MSP SCART OUTPUT VOLUME 1 0 0 0 0 0 0 0

OPTION 55. SPEAKER SETUP

B7:b7 = note 1
 B6:b6 = note 1
 B5:b5 = note 1
 B4:b4 = note 1
 B3:b3 = note 1
 B2:b2 = note 1
 B1:b1 = note 1
 B0:b0 = note 1

note 1 :

b7 b6 b5 b4 b3 b2 b1 b0

SPEAKER SETUP (L/R, L/C/R, L/R/S, L/C/R/S) 0 0 0 0 0 0 0 0

OPTION 56. AUDIO OPTIONS AVAILABLE OR NOT

B7 : nicam = x
 B6 : b6 = x
 B5 : SRS = note 1
 B4 : ... = x
 B3 : ... = x
 B2 : Bbe = note 2
 B1 : Spa = note 3
 B0 : Avl = note 4

note 1 :

SRS = TruSurround , TruBass , BBE
 0 = SRS not available
 1 = SRS available

note 2 :

Bbe = BBE (Analog BBE)
 0 = BBE not available
 1 = BBE available

note 3 :

Spa = Spatial Effect available
 0 = Spatial Effect not available
 1 = Spatial Effect available

note 4 :

Avl = Automatic volume level available
 0 = Automatic volume level not available
 1 = Automatic volume level available

OPTION 57. STEREO THRESHOLD

B7 : b7 = note 1 Remark :
 B6 : b6 = note 1
 B5 : b5 = note 1

-Threshold for all FM A2 signals to switch from MONO to STEREO.

B4 : b4 = note 1 -For first check after programme change half value is changed (0Ch) 19h/2
 B3 : b3 = note 1 -For switching from STEREO back to MONO: 19h/4 *3
 B2 : b2 = note 1
 B1 : b1 = note 1
 B0 : b0 = note 1

note 1 :

MSP STEREO/MONO THRESHOLD **b7 b6 b5 b4 b3 b2 b1 b0**
 0 0 0 1 1 0 0 1

OPTION 58. MSP AUDIO FLAGS

B7 : b7 = x
 B6 : b6 = x
 B5 : b5 = x
 B4 : Trs = note 1
 B3 : Trb = note 1
 B2 : Bbe = note 1
 B1 : Spa = note 1
 B0 : Avl = note 1

note 1 :

Defines whether the feature is toggled ON or OFF in the menu and stored.

0 :OFF
 1 :ON

OPTION 59. Nicam Threshold

B7 : b7 = note 1
 B6 : b6 = note 1
 B5 : b5 = note 1
 B4 : b4 = note 1
 B3 : b3 = note 1
 B2 : b2 = note 1
 B1 : b1 = note 1
 B0 : b0 = note 1

note 1 :

MSP NICAM THRESHOLD **b7 b6 b5 b4 b3 b2 b1 b0**
 0 1 1 0 0 1 0 0

OPTION 60. Power Delay Time

B7 : L7 = note 1
 B6 : L6 = note 1
 B5 : L5 = note 1
 B4 : L4 = note 1
 B3 : L3 = note 1
 B2 : L2 = note 1
 B1 : L1 = note 1
 B0 : L0 = note 1

Note 1:

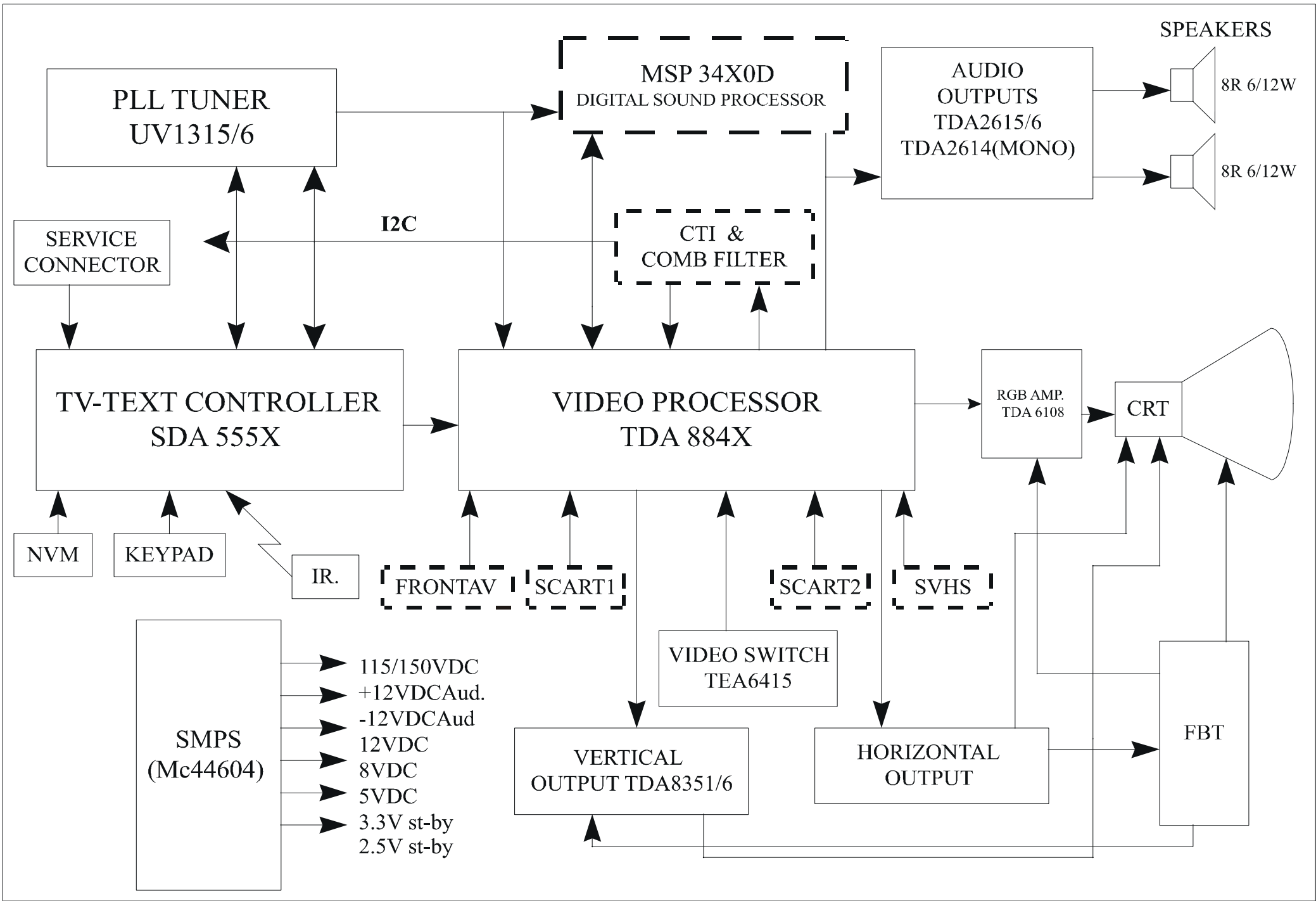
	L7	L6	L5	L4	L3	L2	L1	L0
Default Value :	0	0	1	1	0	0	0	0

AK19PRO CHASSIS ADJUST SETTING

ADJUST 00-65

ADJUST 00 = White Point RED
 ADJUST 01 = White Point GREEN
 ADJUST 02 = White Point BLUE

ADJUST 03	=	AGC
ADJUST 04	=	IF-PLL Negative
ADJUST 05	=	IF-PLL Positive
ADJUST 06	=	Y-Delay PAL
ADJUST 07	=	Y-Delay SECAM
ADJUST 08	=	Y-Delay NTSC
ADJUST 09	=	Y-Delay OTHER
ADJUST 10	=	4:3 Vertical Zoom
ADJUST 11	=	4:3 Vertical Scroll
ADJUST 12	=	4:3 Horizontal Shift
ADJUST 13	=	4:3 Vertical Slope
ADJUST 14	=	4:3 Vertical Amplitude
ADJUST 15	=	4:3 S-correction
ADJUST 16	=	4:3 Vertical Shift
ADJUST 17	=	4:3 EW Width
ADJUST 18	=	4:3 EW Parabola Width
ADJUST 19	=	4:3 EW Corner Parabola
ADJUST 20	=	4:3 EW Trapezium
ADJUST 21	=	16:9 Vertical Zoom
ADJUST 22	=	16:9 Vertical Scroll
ADJUST 23	=	16:9 Horizontal Shift
ADJUST 24	=	16:9 Vertical Slope
ADJUST 25	=	16:9 Vertical Amplitude
ADJUST 26	=	16:9 S-correction
ADJUST 27	=	16:9 Vertical Shift
ADJUST 28	=	16:9 EW Width
ADJUST 29	=	16:9 EW Parabola Width
ADJUST 30	=	16:9 EW Corner Parabola
ADJUST 31	=	16:9 EW Trapezium
ADJUST 32	=	Cinema Vertical Zoom
ADJUST 33	=	Cinema Vertical Scroll
ADJUST 34	=	Cinema Horizontal Shift
ADJUST 35	=	Cinema Vertical Slope
ADJUST 36	=	Cinema Vertical Amplitude
ADJUST 37	=	Cinema S-correction
ADJUST 38	=	Cinema Vertical Shift
ADJUST 39	=	Cinema EW Width
ADJUST 40	=	Cinema EW Parabola Width
ADJUST 41	=	Cinema EW Corner Parabola
ADJUST 42	=	Cinema EW Trapezium
ADJUST 43	=	Subtitle Vertical Zoom
ADJUST 44	=	Subtitle Vertical Scroll
ADJUST 45	=	Subtitle Horizontal Shift
ADJUST 46	=	Subtitle Vertical Slope
ADJUST 47	=	Subtitle Vertical Amplitude
ADJUST 48	=	Subtitle S-correction
ADJUST 49	=	Subtitle Vertical Shift
ADJUST 50	=	Subtitle EW Width
ADJUST 51	=	Subtitle EW Parabola Width
ADJUST 52	=	Subtitle EW Corner Parabola
ADJUST 53	=	Subtitle EW Trapezium
ADJUST 54	=	Super Zoom Vertical Zoom
ADJUST 55	=	Super Zoom Vertical Scroll
ADJUST 56	=	Super Zoom Horizontal Shift
ADJUST 57	=	Super Zoom Vertical Slope
ADJUST 58	=	Super Zoom Vertical Amplitude
ADJUST 59	=	Super Zoom S-correction
ADJUST 60	=	Super Zoom Vertical Shift
ADJUST 61	=	Super Zoom EW Width
ADJUST 62	=	Super Zoom EW Parabola Width
ADJUST 63	=	Super Zoom EW Corner Parabola
ADJUST 64	=	Super Zoom EW Trapezium
ADJUST 65	=	OSD position



GENERAL BLOCK DIAGRAM OF CHASSIS AK19PRO

10009538

2850W TEAC AUSTR TEAC CTW2850S(SILVER)

COMP.	DESCRIPTION	UNIT	QTY	POSITION
20000586	SPK.A.28"-32"(16:9)/72XX/74XX AK19 (W/HE	PCS	1	
20039751	SPK.AS.7289/99 721X/20/70/71 (L)19 W/HE	PCS	1	
30000426	CAP EL 6.8UF 50V M (BPL)	PCS	1	
30001946	SPEAKER 8R 15W 57*160	PCS	1	
30001947	TWEETER 8R 15W CLOSED	PCS	1	
30002238	CABLE 2/20 R2.6 WO/SOCKET AK16	PCS	1	
30012632	CONN.ASSY.2/69 R2.6 W/GRAY&FERIT (SP)	PCS	1	
50011720	LABEL HIGH END	PCS	1	
20039752	SPK.AS.7289/99 721X/20/70/71 (R)19 W/HE	PCS	1	
30000426	CAP EL 6.8UF 50V M (BPL)	PCS	1	
30001946	SPEAKER 8R 15W 57*160	PCS	1	
30001947	TWEETER 8R 15W CLOSED	PCS	1	
30002238	CABLE 2/20 R2.6 WO/SOCKET AK16	PCS	1	
30012631	CONN.ASSY.2/76 R2.6 W/BL&FERIT (SP)	PCS	1	
50011720	LABEL HIGH END	PCS	1	
20002570	EXP.KIT 16-18-19 7289/99(WO/TUP MONTAJSI	PCS	1	
20004519	CABLE HOLDER CRT (I)	PCS	1	
60000018	COPOLYMER POLYPROPYLENE	KG	0.002	
35000012	SPRING SIDE DOOR 7289/99	PCS	1	
35000013	SPRING ON/OFF SWITCH	PCS	1	
35000216	SCREW S C ZNSY YSMB 3.9*19	PCS	2	
35000512	NUT C ZN M4	PCS	1	
40000026	EJECTOR CLIP-CLAP	PCS	1	
40006731	ISOLATION COTTON (9x25000mm)	M	1.4	
70000331	ADHESIVE TAPE 75MM/660M (4125)	M	2.411	
20011461	CRT KIT (28"16:9) AK19 WO/PFC	PCS	1	
20062179	CABLE ASSY.19-4/45 R26(HRZ&VER) IMPROVED	PCS	1	
30007248	CONN.FEMALE 4P MLX 4CONTACT	PCS	1	
30007298	CONN.ASSY.4/45 R26 (HRZ&VER) IMPROVED	PCS	1	
30014568	TERMINAL SSC 2000T	PCS	4	
30002137	28 DEG COIL&EARTH CB.WO/UL16:9	PCS	1	
35000010	EARTH SPRING (4CM)	PCS	1	
20016405	ON/OFF AS.110°(28-29"')(2.2/AU)(W/MAKARON	PCS	1	
30002174	SWITCH ON/OFF 4A/64A	PCS	1	
30002368	CABLE AC 2P 65CM W/MLX CONN.	PCS	1	
30014059	POWER CORD 2.2MT W/FILTER AUST.TYPE	PCS	1	
40000127	SWITCH INSULATION DOOR LK101	PCS	1	
40001898	MACARON (12cm.Isi ile daralan)	PCS	1	
20020860	MD.ASY.SB189-STR/HP+FAV+SVHS (EMC)	PCS	1	
20017664	MD.OTO.SB189-STR/HP+FAV+SVHS	PCS	1	
20017649	MD.SMD.SB189-STR/HP	PCS	1	
20017650	MD.RAD.SB189-STR/HP	PCS	1	
20017651	MD.AXI.SB189-STR/HP	PCS	1	
20017652	MD.SEQ.SB189-STR/HP	PCS	1	
30000471	RES CF 1/4W 10K J	PCS	2	R101 R102
30000706	RES CF 1/4W 47R J	PCS	4	R103 R104 R105 R106
30000330	CAP CER 4.7NF 50V K B	PCS	2	C101 C102
20017653	MD.SMD.SB189-STR/FAV	PCS	1	
20017654	MD.RAD.SB189-STR/FAV	PCS	1	
20017655	MD.AXI.SB189-STR/FAV	PCS	1	
20017656	MD.SEQ.SB189-STR/FAV	PCS	1	
30000594	RES CF 1/4W 22K J	PCS	2	R107 R109
30000712	RES CF 1/4W 470R J	PCS	2	R108 R110
30001979	FIXED COIL 1UH Q45 M-A	PCS	1	L101
30002583	KISA DEVRE TELİ 0.6MM	GR	0.125	J101
30000191	CAP CER 100PF 50V J SL	PCS	1	C106
30000213	CAP CER 180PF 50V J CH	PCS	2	C103 C104
20017657	MD.SMD.SB189-STR/SVHS	PCS	1	
20017658	MD.RAD.SB189-STR/SVHS	PCS	1	
20017659	MD.AXI.SB189-STR/SVHS	PCS	1	
20017660	MD.SEQ.SB189-STR/SVHS	PCS	1	

30000650	RES CF 1/4W 33R J	PCS	2	R113 R114
30001979	FIXED COIL 1UH Q45 M-A	PCS	1	L102
30002583	KISA DEVRE TELİ 0.6MM	GR	0.125	S101
30000191	CAP CER 100PF 50V J SL	PCS	1	C107
20017671	MD.AXI.SB189-COMMON	PCS	1	
30007528	PCB 11SB189-2	PCS	1	
60000047	CCL 1220*1020*1.6 FR2 V0 351	M2	0.006	
20017665	MD.MAN.SB189-STR/HP+FAV+SVHS (EMC)	PCS	1	
20017661	MD.MAN.SB189-STR/HP (EMC)	PCS	1	
30001902	JACK HEADPHONE STEREO WO/SW	PCS	1	CON105
30009317	CONN ASSY.3/70 W/NELTRON BLACK W/FERRIT)	PCS	1	PL102
20017662	MD.MAN.SB189-STR/FAV COMMON	PCS	1	
30001833	CONN MALE 2P SIDE BLUE	PCS	1	PL103
30001844	CONN MALE 3P SIDE GREEN	PCS	1	PL104
30001891	RCA JACK 1P WHITE 28 FAV	PCS	1	CON104
30001892	RCA JACK 1P RED 28 FAV	PCS	1	CON103
30001893	RCA JACK 1P YELLOW 28 FAV	PCS	1	CON102
30002315	CONN ASSY 2/55 SHL.D.C. BLU	PCS	1	PL103
30002321	CONN ASSY 3/55 SHL.D.C. GRN	PCS	1	PL104
20017663	MD.MAN.SB189-STR/SVHS	PCS	1	
30001843	CONN MALE 3P SIDE YELLOW	PCS	1	PL105
30001895	JACK 4P DIN TYPE FOR SVHS	PCS	1	CON101
30002322	CONN ASSY 3/55 SHL.D.C. YLW	PCS	1	PL105
20032745	SNOW BOX ASSY.2850/51-W	SET	1	
20030438	SNOW BOX TOP-2850/51-W	PCS	1	
60000011	EPS	KG	0.466	
20030439	SNOW BOX BOTTOM-2850/51-W	PCS	1	
60000011	EPS	KG	0.466	
20039110	SCR.AS.7289/99 W/BAV AK19 (SIDE D.SILVER	PCS	1	
20004215	SIDE DOOR 7289/99 SILVER (P)	PCS	1	
20038240	SIDE DOOR 7289/99 L.GRAY (I)	PCS	1	
60000001	ABS (NATURAL)	KG	0.05	
60000515	MASTERBATCH LIGHT GRAY	GR	1	
60000072	PAINT SILVER 022-6485	KG	0.002	
70000038	THINNER FUME DEOCRYL(986.0809)	KG	0.002	
20004217	SIDE DOOR BRACK.7289/99 SILV(P	PCS	1	
20038241	SIDE DOOR BRACK.7289/99 L.GRAY(I)	PCS	1	
60000001	ABS (NATURAL)	KG	0.05	
60000515	MASTERBATCH LIGHT GRAY	GR	1	
60000072	PAINT SILVER 022-6485	KG	0.002	
70000038	THINNER FUME DEOCRYL(986.0809)	KG	0.002	
35000162	WASHER C ZN DZ 4.4*12*1	PCS	2	
35000215	SCREW S C ZNSY YSMB 3.9*13	PCS	1	
35000216	SCREW S C ZNSY YSMB 3.9*19	PCS	10	
35000224	SCREW C SK ZN YFMB 2.9*9.5	PCS	16	
35000231	SCREW SK C NI YFMB 2.9*6.5	PCS	3	
35000235	SCREW P C ZN AKBR 7*32	PCS	4	
40000108	ADJUSTABLE BOSS 63-72/XX	PCS	4	
20056329	SCREW ASSY.28/29/32/33 USA/AVUS.	PCS	1	
35000162	WASHER C ZN DZ 4.4*12*1	PCS	1	
35000224	SCREW C SK ZN YFMB 2.9*9.5	PCS	1	
20060050	BUTTON ASSY.2850W-M	PCS	1	
20030459	BUTTON FUNCTION 2850-W 5T (I)	PCS	1	
60000003	ABS BLACK	KG	0.014	
20030461	BUTTON ON/OFF 2850-W (I)(POWER-SM BASKI)	PCS	1	
60000003	ABS BLACK	KG	0.004	
20030465	LENS 2850W (I)	PCS	1	
60000015	POLYCARBONATE (PC) (BLACK)	KG	0.002	
20060968	MD.ASY.TB285X-W 2850/51W 5SW 19PRO	PCS	1	
30001279	LED RED/GREEN LTL293SJ	PCS	1	LD101
30001670	PREAMPLIFIER TFMS5360	PCS	1	MD101
30002181	SWITCH TACT	PCS	5	S101 S102 S103 S104 S105
30002287	CONN.ASSY.7/42 (FL) KEYBOARD	PCS	1	CON101
30002335	CON.ASSY.3/60 FC (PRE-AMP)	PCS	1	CON102

30014421	PCB 11TB285X-W	PCS	1	
40007581	HOLDER LED3-1B (PINGOOD)	PCS	1	
20066729	CHS.ASSY.19P-1WG@2B24133XC4	PCS	1	
20061746	CRT DIFF.KIT AK19-28/THO(16/9)IRON MASK	PCS	1	
30000106	CAP MKT 47NF 100V J	PCS	1	C435
30000117	CAP MKT 8.2NF 100V J	PCS	1	C707
30000123	CAP PP 33NF 630V K	PCS	1	C610
30000128	CAP MKP 10NF 630V J	PCS	1	C613
30000136	CAP MKP 12NF 2000V %3.5	PCS	1	C626
30000162	CAP MKP 470NF 250V J	PCS	1	C614
30000172	CAP MKP 680NF 250V J (P=15)	PCS	1	C617
30000177	CAP MKP 820NF 250V J	PCS	1	C630
30000471	RES CF 1/4W 10K J	PCS	1	R613
30000531	RES CF 1/4W 15K J	PCS	1	R615
30000551	RES CF 1/4W 18R J	PCS	1	R702
30000712	RES CF 1/4W 470R J	PCS	1	R717
30000805	RES CF 1/4W 75K J	PCS	1	R606
30001030	RES MF 1/4W 0.82R J	PCS	1	R703
30001151	RES MO 330R 3W J	PCS	1	VR601
30001230	RES FUSE 1/2W 27R J	PCS	1	R629
30001235	RES FUSE 1/2W 0.33R J	PCS	1	R611
30001243	RES FUSE 1/2W 470R J	PCS	1	R704
30001855	SOCKET CRT NARROWNECK W/GND	PCS	1	PL900
30002028	FIXED COIL BRIDGE 1.9MH	PCS	1	L602
30006998	TRF FBT 110° (AK19 16:9 28	PCS	1	TR602
30006749	CAP MKP 3.3NF 1.6KV J	PCS	1	C611
30013514	CABLE 5/45 FC (W/CABLE HOLDER)	PCS	1	
20066728	CHS.WO/CRT.19P-1WG@2B24133XX4	PCS	1	
20001924	MD.ASY.ST19A1-PS/BGDKI GS HF+SC2	PCS	1	
20001908	MD.OTO.ST19A1-BGDKI G+N HF+SC2	PCS	1	
20001874	MD.SMD.ST19A1-COMMON	PCS	1	
20001875	MD.RAD.ST19A1-COMMON	PCS	1	
20001876	MD.AXI.ST19A1-COMMON	PCS	1	
20001877	MD.SEQ.ST19A1-COMMON	PCS	1	
30000471	RES CF 1/4W 10K J	PCS	1	R378
30001248	RES FUSE 1/4W 4.7R J	PCS	1	R343
30001284	DIODE 1N4148	PCS	1	D302
30001369	DIODE ZENER 3.6V ZPD	PCS	1	D301
30001986	FIXED COIL 3.3UH Q65 K	PCS	1	L304
30001987	FIXED COIL 4.7UH Q70 K-A	PCS	3	L301 L302 L303
30002002	FIXED COIL 47UH Q60 K	PCS	2	L308 L309
30002583	KISA DEVRE TELİ 0.6MM	GR	2.5	J100 J101 J102 J103 J104 J105 J106 J107 J108 J109 J110 J112 J114 J115 J116 J117 J118 J119 J450 J130
30000074	CAP MKT 100NF 63V J	PCS	2	C308 C318
30000100	CAP MKT 330NF 63V J	PCS	2	C351 C353
30000109	CAP MKT 470NF 63V J	PCS	1	C371
30000345	CAP EL 10UF 50V M	PCS	7	C306 C309 C321 C322 C323 C334 C358
30000371	CAP EL 22UF 50V M	PCS	4	C338 C347 C373 C401
30000384	CAP EL 2.2UF 50V M	PCS	2	C365 C370
30000393	CAP EL 3.3UF 50V M	PCS	1	C319
30000417	CAP EL 6.8UF 50V M	PCS	1	C332
30001455	TR BC558B	PCS	1	Q301
30000216	CAP SMD 1.8PF 50V J CH (0805)	PCS	2	C301 C302
30000224	CAP SMD 220PF 50V J (0805)	PCS	3	C346 C350 C352
30000252	CAP SMD 47PF 50V J (0805)	PCS	2	C335 C336
30000263	CAP SMD 56PF 50V J CH (0805)	PCS	1	C279
30000284	CAP SMD 1NF 50V K R (0805)	PCS	9	C316 C317 C328 C329 C364 C404 C406 C407
30000797	RES SMD 1/10W 75R J (0805)	PCS	2	C354 C355
30000289	CAP SMD 10NF 50V K R (0805)	PCS	1	C304
30000294	CAP SMD 100NF 50V K (0805)	PCS	13	C307 C320 C333 C357 C366

				C368 C369 C374 C379 C385
				C400 C403 C405
30000464	RES SMD 1/10W 100R J	PCS	5	R306 R307 R308 R361 R364
30000475	RES SMD 1/10W 10K J 0805	PCS	1	R379
30000524	RES SMD 1/10W 150R J (0805)	PCS	1	R341
30000534	RES SMD 1/10W 15K J (0805)	PCS	2	R314 R315
30000717	RES SMD 1/10W 470R J (0805)	PCS	1	R399
30001734	JUMPER SMD (0805)	PCS	6	J113 J120 J121 J122 S403
				S405
20001879	MD.SMD.ST19A1-BG/DK/I	PCS	1	
20001880	MD.RAD.ST19A1-BG/DK/I	PCS	1	
20001881	MD.AXI.ST19A1-BG/DK/I	PCS	1	
20001882	MD.SEQ.ST19A1-BG/DK/I	PCS	1	
30002583	KISA DEVRE TELİ 0.6MM	GR	0.125	D303
30001734	JUMPER SMD (0805)	PCS	1	S301
20001892	MD.SMD.ST19A1-FAV	PCS	1	
20001893	MD.RAD.ST19A1-FAV	PCS	1	
20001894	MD.AXI.ST19A1-FAV	PCS	1	
20001895	MD.SEQ.ST19A1-FAV	PCS	1	
30000590	RES CF 1/4W 2.2K J	PCS	2	R309 R310
30000100	CAP MKT 330NF 63V J	PCS	2	C340 C342
30000256	CAP SMD 470PF 50V J (0805)	PCS	2	C339 C341
30000631	RES SMD 1/10W 2.7K J 0805	PCS	2	R001 R002
20001897	MD.SMD.ST19A1-2SC	PCS	1	
20001898	MD.RAD.ST19A1-2SC	PCS	1	
20001899	MD.AXI.ST19A1-2SC	PCS	1	
20001900	MD.SEQ.ST19A1-2SC	PCS	1	
30000531	RES CF 1/4W 15K J	PCS	1	R311
30002002	FIXED COIL 47UH Q60 K	PCS	2	L306 L307
30000100	CAP MKT 330NF 63V J	PCS	2	C344 C349
30000371	CAP EL 22UF 50V M	PCS	2	C326 C327
30000224	CAP SMD 220PF 50V J (0805)	PCS	2	C343 C348
30000284	CAP SMD 1NF 50V K R (0805)	PCS	2	C330 C331
30000464	RES SMD 1/10W 100R J	PCS	2	R359 R360
30000534	RES SMD 1/10W 15K J (0805)	PCS	1	R313
20001901	MD.SMD.ST19A1-HP	PCS	1	
20001902	MD.RAD.ST19A1-HP	PCS	1	
20001903	MD.AXI.ST19A1-HP	PCS	1	
20001904	MD.SEQ.ST19A1-HP	PCS	1	
30001996	FIXED COIL 22UH Q40 K	PCS	2	L315 L316
30000074	CAP MKT 100NF 63V J	PCS	1	C294
30000100	CAP MKT 330NF 63V J	PCS	2	C298 C299
30000352	CAP EL 100UF 16V M	PCS	2	C295 C297
30000362	CAP EL 1UF 50V M	PCS	1	C278
30000224	CAP SMD 220PF 50V J (0805)	PCS	2	C002 C003
30000284	CAP SMD 1NF 50V K R (0805)	PCS	2	C274 C275
30000309	CAP SMD 2.2NF 50V K R 0805	PCS	2	C276 C277
30000475	RES SMD 1/10W 10K J 0805	PCS	4	R362 R363 R386 R387
30000721	RES SMD 1/10W 4.7K J	PCS	2	R357 R358
20034063	MD.SMD.ST19A1-PCB GRB (ST19-A...)	PCS	1	
20034064	MD.RAD.ST19A1-PCB GRB (ST19-A...)	PCS	1	
20034065	MD.AXI.ST19A1-PCB GRB (ST19-A...)	PCS	1	
30013949	PCB 11ST19A6	PCS	1	
30000220	CAP SMD 22PF 50V J (0805)	PCS	1	C001
30000469	RES SMD 1/10W 1K J 0805	PCS	1	R303
30000717	RES SMD 1/10W 470R J (0805)	PCS	2	R304 R305
30013413	FERRITE BEAD ACB2012H-300	PCS	2	L001 L002
20003184	MD.MAN.ST19A1-COMMON	PCS	1	
30001756	XTAL 18.432MHZ	PCS	1	X301
30001809	CONN.FEMALE 12P MOLEX	PCS	1	PL300
30001811	CONN.FEMALE 14P MOLEX	PCS	1	PL301
20003185	MD.MAN.ST19A1-PS/BG-DK-I	PCS	1	
30001495	IC TDA4472	PCS	1	IC307
30001692	FILTER SAW OFWK3953M	PCS	1	Z302

30001706	FILTER SAW OFWK9453	PCS	1	Z301
30002037	ADJ COIL VIF 38.9 Q80	PCS	1	VL301
20003188	MD.MAN.ST19A1-GS	PCS	1	
30001661	IC MSP3400D SDIP64	PCS	1	IC301
20003190	MD.MAN.ST19A1-FAV	PCS	1	
30001844	CONN MALE 3P SIDE GREEN	PCS	1	PL304
20003191	MD.MAN.ST19A1-HP	PCS	1	
30000390	CAP EL 330UF 25V M	PCS	1	C293
30001518	IC TDA1308	PCS	1	IC304
30001776	CONN.MALE 3P(2703) RED	PCS	1	PL305
20002122	MD.ASY.BAV19E-BAV/OUT	PCS	1	
20002123	MD.OTO.BAV19E-BAV/OUT	PCS	1	
20002099	MD.SMD.BAV19E-BAV/OUT	PCS	1	
20002100	MD.RAD.BAV19E-BAV/OUT	PCS	1	
20002101	MD.AXI.BAV19E-BAV/OUT	PCS	1	
30009556	PCB 11BAV19E-2	PCS	1	
30000109	CAP MKT 470NF 63V J	PCS	3	C103 C104 C113
30000352	CAP EL 100UF 16V M	PCS	1	C100
30000387	CAP EL 33UF 50V M	PCS	2	C101 C102
30001454	TR BC548B	PCS	3	Q100 Q101 Q102
30000464	RES SMD 1/10W 100R J	PCS	1	R100
30000469	RES SMD 1/10W 1K J 0805	PCS	7	R102 R105 R106 R107 R110 R111 R112
30000653	RES SMD 1/10W 33R J	PCS	1	R101
30000732	RES SMD 1/10W 470K J	PCS	2	R103 R108
30000807	RES SMD 1/10W 75K J	PCS	1	R113
20003214	MD.MAN.BAV19E-BAV OUT	PCS	1	
30001840	CONN MALE 3P SIDE WHITE	PCS	1	PL101
30001842	CONN MALE 3P SIDE BLUE	PCS	1	PL100
30001880	JACK RCA 3P (BACK AV) 180°	PCS	1	PL113
30002250	CONN ASSY 3/28 SHL.D.C. BLU	PCS	1	
30002251	CONN ASSY 3/28 SHL.D.C. WHT	PCS	1	
20002124	MD.ASY.ESP19-EXT.SPK	PCS	1	
20002125	MD.OTO.ESP19-EXT.SPK.	PCS	1	
20002118	MD.AXI.ESP19-EXT.SPK.	PCS	1	
20002119	MD.SEQ.ESP19-EXT.SPK.	PCS	1	
30002583	KISA DEVRE TELİ 0.6MM	GR	0.375	L100 L101 L102
30009560	PCB 11ESP19-1	PCS	1	
20003204	MD.MAN.ESP19-EXT.SPK.	PCS	1	
30001763	CONN.MALE 2P (2752) GRAY	PCS	1	PL109
30001765	CONN MALE 2P (2752) BLACK	PCS	1	PL106
30001876	JACK EXT.SPK.W/STOPPER	PCS	1	PL107
30002244	CONN.2/25 W/GRY (EXTERNAL)	PCS	1	PL104
30002245	CONN.2/25 W/BLK (EXTERNAL)	PCS	1	PL105
20063697	IC 24C16 K34@6E4100101F10	PCS	1	
30014717	IC 24C16 3.3V	PCS	1	
20066726	M.ASSY.19P-OTO 15G@2BXX1X3XX4	PCS	1	
20020542	MB.SMD.19B-W/8R 15W SPK.25/28" MSP	PCS	1	
20020543	MB.RAD.19B-W/8R 15W SPK.25/28" MSP	PCS	1	
20020544	MB.AXI.19B-W/8R 15W SPK.25/28" MSP	PCS	1	
20020545	MB.SEQ.19B-W/8R 15W SPK.25/28" MSP	PCS	1	
20020546	MB.JUM.19B-W/8R 15W SPK.25/28" MSP	PCS	1	
30002583	KISA DEVRE TELİ 0.6MM	GR	0.068	J297
30000564	RES CF 1/4W 18K J	PCS	1	R108
30000336	CAP SMD 5.6NF 50V K (0805)	PCS	2	C101 C107
30000567	RES SMD 1/10W 18K J 0805	PCS	1	R106
20020553	MB.SMD.19B-2SC STR WO/DOLBY	PCS	1	
30000242	CAP SMD 330PF 50V J 0805	PCS	4	C061 C062 C066 C067
30000469	RES SMD 1/10W 1K J 0805	PCS	4	R067 R069 R079 R081
20042501	MB.SMD.19P-28"16:9 SIZE TEAC	PCS	1	
20042502	MB.RAD.19P-28"16:9 SIZE TEAC	PCS	1	
20042503	MB.AXI.19P-28"16:9 SIZE TEAC	PCS	1	
20042504	MB.SEQ.19P-28"16:9 SIZE TEAC	PCS	1	
20042505	MB.JUM.19P-28"16:9 SIZE TEAC	PCS	1	

20042506	MB.PER.19P-28"16:9 SIZE TEAC	PCS	1	
30002583	KISA DEVRE TELİ 0.6MM	GR	0.34	D601 S603 J901 J903 R625
30000429	SPARK GAP (GLASS 150V)	PCS	1	SP901
30000459	RES CF 1/4W 100R J	PCS	3	R907 R908 R909
30000513	RES CF 1/4W 130K J	PCS	1	R823
30000525	RES CF 1/2W 1.5K J	PCS	5	R901 R902 R903 R905 R906
30000572	RES CF 1/4W 2K J	PCS	1	R824
30000583	RES CF 1/4W 220R J	PCS	1	R707
30000650	RES CF 1/4W 33R J	PCS	1	R455
30000775	RES CF 1/4W 6.8K J	PCS	1	R614 R617
30001228	RES FUSE 1/2W 2.2R J	PCS	1	R628
30001235	RES FUSE 1/2W 0.33R J	PCS	1	R608
30001242	RES FUSE 1/4W 47R J	PCS	1	R914
30001344	DIODE ZENER 6.2V 1/2W	PCS	1	D904
30000078	CAP MKT 1UF 100V M	PCS	1	C621
30000082	CAP MKT 15NF 63V J	PCS	1	C608
30000319	CAP CER 2.7NF 500V K B	PCS	1	C904
30000433	CAP CER 1NF 1KV M B	PCS	1	C620
30000434	CAP CER 1NF 2KV K B	PCS	1	C903
30000284	CAP SMD 1NF 50V K R (0805)	PCS	2	C708 C715
30000289	CAP SMD 10NF 50V K R (0805)	PCS	1	C430
30000325	CAP SMD 33NF 50V K (0805)	PCS	1	C600
30000340	CAP SMD 6.8NF 50V K (0805)	PCS	1	C627
30000475	RES SMD 1/10W 10K J 0805	PCS	1	R475
30000506	RES SMD 1/10W 120K J	PCS	1	R456
30000597	RES SMD 1/10W 22K J	PCS	1	R474
30000672	RES SMD 1/10W 330K J	PCS	1	R453
30000700	RES SMD 1/10W 3.9M J	PCS	2	R639 R452
30001734	JUMPER SMD (0805)	PCS	3	S425 J610 J617
20042801	MB.SMD.19P-PSBG GS&NI STR PLL	PCS	1	
20042802	MB.RAD.19P-PSBG GS&NI STR PLL	PCS	1	
20042803	MB.AXI.19P-PSBG GS&NI STR PLL	PCS	1	
20042804	MB.SEQ.19P-PSBG GS&NI STR PLL	PCS	1	
20042805	MB.JUM.19P-PSBG GS&NI STR PLL	PCS	1	
30002583	KISA DEVRE TELİ 0.6MM	GR	0.476	C451 C452 S504 J200 J165 J166 J276
30000650	RES CF 1/4W 33R J	PCS	1	R428
30001257	RES MG 1/2W 4.7M J	PCS	1	R845
30001284	DIODE 1N4148	PCS	2	D503 D504
30001990	FIXED COIL 6.8UH Q75 K	PCS	1	L403
30000092	CAP MKT 220NF 63V J	PCS	1	C415
30000109	CAP MKT 470NF 63V J	PCS	1	C113
30000393	CAP EL 3.3UF 50V M	PCS	1	C500
30001454	TR BC548B	PCS	3	Q407 Q521 Q522
30001455	TR BC558B	PCS	1	Q512
30001724	FILTER SER TRAP TPS 5.5MHZ	PCS	1	Z209
30000220	CAP SMD 22PF 50V J (0805)	PCS	1	C421
30000284	CAP SMD 1NF 50V K R (0805)	PCS	2	C490 C439
30000294	CAP SMD 100NF 50V K (0805)	PCS	5	C030 C031 C032 C539 C540
30000499	RES SMD 1/10W 1.2K J (0805)	PCS	1	R421
30000524	RES SMD 1/10W 150R J (0805)	PCS	1	R429
30000534	RES SMD 1/10W 15K J (0805)	PCS	1	R454
30000558	RES SMD 1/10W 180R J	PCS	1	R422
30000593	RES SMD 1/10W 2.2K J (0805)	PCS	1	R420
30000692	RES SMD 1/10W 3.9K J 0805	PCS	2	R561 R574
30001734	JUMPER SMD (0805)	PCS	4	S065 R478 R588 R599
20043021	MB.SMD.19P-VER 1.0,1.1,2.0-1P/8P TXT	PCS	1	
20043022	MB.RAD.19P-VER 1.0,1.1,2.0-1P/8P TXT	PCS	1	
20043023	MB.AXI.19P-VER 1.0,1.1,2.0-1P/8P TXT	PCS	1	
20043024	MB.SEQ.19P-VER 1.0,1.1,2.0-1P/8P TXT	PCS	1	
20043025	MB.JUM.19P-VER 1.0,1.1,2.0-1P/8P TXT	PCS	1	
30002583	KISA DEVRE TELİ 0.6MM	GR	0.408	J141 J264 J261 D506 D507 D508
30000466	RES CF 1/4W 1K J	PCS	1	R448

30000500	RES CF 1/4W 12K J	PCS	1	R711
30000718	RES CF 1/4W 4.7K J	PCS	1	R710
30001315	DIODE BYD33D	PCS	1	D812
30001992	FIXED COIL 10UH Q65 K-A	PCS	1	L406
30000109	CAP MKT 470NF 63V J	PCS	1	C521
30000345	CAP EL 10UF 50V M	PCS	1	C428
30000352	CAP EL 100UF 16V M	PCS	1	C517
30001454	TR BC548B	PCS	2	Q415 Q702
30000237	CAP SMD 33PF 50V J (0805)	PCS	2	C524 C525
30000294	CAP SMD 100NF 50V K (0805)	PCS	1	C505
30000300	CAP SMD 1.5NF 50V K 0805	PCS	1	C465
30000464	RES SMD 1/10W 100R J	PCS	1	R447
30000475	RES SMD 1/10W 10K J 0805	PCS	3	R595 R596 R564
30000563	RES SMD 1/10W 1.8K J (0805)	PCS	1	R584
30000567	RES SMD 1/10W 18K J 0805	PCS	1	R556
30000721	RES SMD 1/10W 4.7K J	PCS	3	R548 R550 R535
30000818	RES SMD 1/10W 8.2K J (0805)	PCS	1	R540
30001734	JUMPER SMD (0805)	PCS	1	S415
30006658	RES SMD 1/10W 82R J	PCS	1	R465
20044118	MB.SMD.19P-SMPS 90-270V 110° 16:9	PCS	1	
20044119	MB.RAD.19P-SMPS 90-270V 110° 16:9	PCS	1	
20044120	MB.AXI.19P-SMPS 90-270V 110° 16:9	PCS	1	
20044121	MB.SEQ.19P-SMPS 90-270V 110° 16:9	PCS	1	
30000540	RES CF 1/2W 1.5M J (400V)	PCS	1	R816
30000660	RES CF 1/4W 3.3K J	PCS	1	R871
30001284	DIODE 1N4148	PCS	1	D100
30001315	DIODE BYD33D	PCS	1	D811
30001318	DIODE BA159	PCS	1	D606
30007308	CAP CER 220PF 1KV K (PULSE)	PCS	3	C821 C824 C827
30000284	CAP SMD 1NF 50V K R (0805)	PCS	1	C809
30000353	CAP EL 100UF 25V M	PCS	1	C848
30000818	RES SMD 1/10W 8.2K J (0805)	PCS	1	R808
20045032	MB.SMD.19P-PLL NORMAL	PCS	1	
20045033	MB.RAD.19P-PLL NORMAL	PCS	1	
20045034	MB.AXI.19P-PLL NORMAL	PCS	1	
20045035	MB.SEQ.19P-PLL NORMAL	PCS	1	
20045036	MB.JUM.19P-PLL NORMAL	PCS	1	
30002583	KISA DEVRE TELİ 0.6MM	GR	0.204	J140 J272 J175
30000459	RES CF 1/4W 100R J	PCS	2	R208 R209
30000295	CAP CER 100NF 50V Z F	PCS	1	C816
30000345	CAP EL 10UF 50V M	PCS	1	C204
30000352	CAP EL 100UF 16V M	PCS	1	C201
30000597	RES SMD 1/10W 22K J	PCS	1	R213
30001734	JUMPER SMD (0805)	PCS	3	S201 S203 J500
20059790	MB.SMD.19P-2SC STR FAV+SVHS	PCS	1	
20059791	MB.RAD.19P-2SC STR FAV+SVHS	PCS	1	
20059792	MB.AXI.19P-2SC STR FAV+SVHS	PCS	1	
20059793	MB.SEQ.19P-2SC STR FAV+SVHS	PCS	1	
20059794	MB.JUM.19P-2SC STR FAV+SVHS	PCS	1	
30002583	KISA DEVRE TELİ 0.6MM	GR	0.068	S066
30000459	RES CF 1/4W 100R J	PCS	1	R044
30000466	RES CF 1/4W 1K J	PCS	1	R508
30000531	RES CF 1/4W 15K J	PCS	2	R549 R570
30001992	FIXED COIL 10UH Q65 K-A	PCS	1	L407
30002015	FIXED COIL 150UH Q50 K (RAD)	PCS	2	L050 L051
30000092	CAP MKT 220NF 63V J	PCS	4	C051 C053 C054 C071
30000283	CAP CER 1NF 50V K B	PCS	1	C408
30000345	CAP EL 10UF 50V M	PCS	1	C068
30000352	CAP EL 100UF 16V M	PCS	1	C028
30001454	TR BC548B	PCS	2	Q055 Q500
30001455	TR BC558B	PCS	1	Q504
30000189	CAP SMD 100PF 50V J (0805)	PCS	2	C099 C097
30000224	CAP SMD 220PF 50V J (0805)	PCS	1	C098
30000294	CAP SMD 100NF 50V K (0805)	PCS	5	C052 C072 C073 C075 C409

30000300	CAP SMD 1.5NF 50V K 0805	PCS	4	C059 C060 C064 C065
30000312	CAP SMD 22NF 50V K (0805)	PCS	1	C110
30000315	CAP SMD 220NF 25V Z (0805)	PCS	1	C076
30000332	CAP SMD 4.7NF 50V K (0805)	PCS	4	C03 C04 C01 C02
30000457	RES SMD 1/10W 10R J 0805	PCS	1	R105
30000464	RES SMD 1/10W 100R J	PCS	2	R050 R051
30000469	RES SMD 1/10W 1K J 0805	PCS	1	R082
30000475	RES SMD 1/10W 10K J 0805	PCS	6	R094 R095 R096 R097 R098 R099
30000524	RES SMD 1/10W 150R J (0805)	PCS	1	R045
30000529	RES SMD 1/10W 1.5K J	PCS	1	R300
30000588	RES SMD 1/10W 220R J 0805	PCS	2	R492 R493
30000593	RES SMD 1/10W 2.2K J (0805)	PCS	1	R509
30000653	RES SMD 1/10W 33R J	PCS	1	R083
30000668	RES SMD 1/10W 33K J 0805	PCS	1	R511
30000675	RES SMD 1/10W 3.3M J	PCS	1	R510
30000710	RES SMD 1/10W 47R J (0805)	PCS	1	R084
30000717	RES SMD 1/10W 470R J (0805)	PCS	1	R049
30000774	RES SMD 1/10W 680R J (0805)	PCS	4	R066 R068 R078 R080
30000797	RES SMD 1/10W 75R J (0805)	PCS	5	R065 R073 R040 R041 R417
20060177	MB.SMD.19P-COMMON	PCS	1	
20060178	MB.RAD.19P-COMMON	PCS	1	
20060179	MB.AXI.19P-COMMON	PCS	1	
20060180	MB.SEQ.19P-COMMON	PCS	1	
20060181	MB.JUM.19P-COMMON	PCS	1	
20060362	MB.PER.19P-COMMON	PCS	1	
30002583	KISA DEVRE TELİ 0.6MM	GR	10.2	J096 J098 J100 J102 J103 J107 J108 J109 J110 J112 J115 J117 J118 J122 J124 J130 J132 J133 J136 J138 J139 J143 J145 J146 J147 J148 J149 J150 J151 J153 J155 J157 J158 J159 J160 J161 J169 J170 J177 J178 J179 J180 J182 J183 J184 J186 J189 J190 J191 J192 J193 J194 J196 J198 J199 J201 J202 J203 J204 J205 J206 J207 J208 J209 J210 J211 J212 J214 J215 J216 J218 J220 J221 J223 J225 J226 J227 J230 J237 J238 J239 J240 J241 J242 J245 J246 J247 J248 J249 J250 J251 J252 J253 J255 J256 J257 J260 J262 J266 J267 J270 J273 J274 J282 J290 J291 J292 J293 J294 J295 J296 J299 J498 J499 J570 J611 J612 J613 J615 J616 J619 J648 J651 J804 J808 J850 R616 R827 S112 S113 S114 S602 S107 J805 J114 J131 J156 J171 J187 J188 J243 J254 J263 J265 J271 J277 J280 J598 J128 J164
30000459	RES CF 1/4W 100R J	PCS	8	R202 R407 R431 R432 R602 R621 R714 R715
30000466	RES CF 1/4W 1K J	PCS	5	R605 R626 R716 R818 R700
30000471	RES CF 1/4W 10K J	PCS	3	R203 R488 R601
30000580	RES CF 1/4W 22R J	PCS	1	R705
30000633	RES CF 1/4W 27K J	PCS	1	R451
30000706	RES CF 1/4W 47R J	PCS	1	R402
30000723	RES CF 1/4W 47K J	PCS	1	R201

30000770	RES CF 1/4W 680R J	PCS	1	R460
30000810	RES CF 1/4W 820R J	PCS	2	R868 R869
30000815	RES CF 1/4W 8.2K J	PCS	1	R619
30000949	RES MF 1/4W 3K G	PCS	1	R706
30001082	RES MO 1/2W 1K J	PCS	2	R620 R630
30001284	DIODE 1N4148	PCS	8	D201 D420 D509 D602 D603 D607 D608 D701
30001318	DIODE BA159	PCS	5	D818 D826 D827 D605 D609
30001347	DIODE ZENER 8.2V	PCS	1	D408
30001377	DIODE ZENER 33V UZT 33B	PCS	1	D604
30001979	FIXED COIL 1UH Q45 M-A	PCS	1	L201
30001984	FIXED COIL 2.2UH Q55 M-AX	PCS	1	L801
30001986	FIXED COIL 3.3UH Q65 K	PCS	1	L402
30001992	FIXED COIL 10UH Q65 K-A	PCS	3	L502 L405 L504
30001997	FIXED COIL 33UH Q60 J	PCS	1	J129
30002016	FIXED COIL 150UH Q60 K	PCS	2	J649 L001
70000079	BANT OTOMATIK DIZGI	M	3.5	
30000071	CAP MKT 10NF 63V J	PCS	1	C705
30000074	CAP MKT 100NF 63V J	PCS	3	C403 C436 C709
30000092	CAP MKT 220NF 63V J	PCS	1	C706
30000107	CAP MKT 47NF 250V J	PCS	1	C604
30000109	CAP MKT 470NF 63V J	PCS	1	C112
30000198	CAP CER 120PF 500V J SL	PCS	1	C831
30000295	CAP CER 100NF 50V Z F	PCS	3	C819 C822 C825
30000313	CAP CER 22NF 50V Z F	PCS	1	C406
30000345	CAP EL 10UF 50V M	PCS	7	C102 C203 C402 C405 C410 C440 C514
30000353	CAP EL 100UF 25V M	PCS	1	C426
30000355	CAP EL 100UF 50V M	PCS	1	C601
30000362	CAP EL 1UF 50V M	PCS	2	C431 C437
30000371	CAP EL 22UF 50V M	PCS	2	C516 C570
30000375	CAP EL 220UF 16V M	PCS	3	C413 C845 C847
30000384	CAP EL 2.2UF 50V M	PCS	1	C407
30000407	CAP EL 470UF 16V M	PCS	1	C607
30000433	CAP CER 1NF 1KV M B	PCS	4	C850 C851 C846 C852
30001435	TR BC639	PCS	1	Q604
30001454	TR BC548B	PCS	8	Q100 Q402 Q406 Q420 Q514 Q805 Q806 Q807
30001455	TR BC558B	PCS	3	Q503 Q601 Q701
30001506	IC TL431	PCS	1	Q809
30008805	CAP MKT 39NF 63V J	PCS	1	C854
30000189	CAP SMD 100PF 50V J (0805)	PCS	2	C448 C498
30000201	CAP SMD 15PF 50V J (0805)	PCS	2	C576 C577
30000220	CAP SMD 22PF 50V J (0805)	PCS	1	C422
30000252	CAP SMD 47PF 50V J (0805)	PCS	2	C446 C447
30000284	CAP SMD 1NF 50V K R (0805)	PCS	2	C433 C434
30000294	CAP SMD 100NF 50V K (0805)	PCS	11	C211 C424 C427 C513 C537 C538 C029 C526 C530 C533 C450
30000300	CAP SMD 1.5NF 50V K 0805	PCS	2	C497 C499
30000309	CAP SMD 2.2NF 50V K R 0805	PCS	1	C603
30000312	CAP SMD 22NF 50V K (0805)	PCS	7	C108 C412 C416 C417 C418 C425 C438
30000315	CAP SMD 220NF 25V Z (0805)	PCS	1	C419
30000322	CAP SMD 3.3NF 50V K (0805)	PCS	1	C423
30000332	CAP SMD 4.7NF 50V K (0805)	PCS	3	C459 C109 C111
30000334	CAP SMD 47NF 50V K (0805)	PCS	1	C411
30000457	RES SMD 1/10W 10R J 0805	PCS	1	R104
30000464	RES SMD 1/10W 100R J	PCS	2	R580 R582
30000469	RES SMD 1/10W 1K J 0805	PCS	8	R405 R437 R441 R500 R502 R503 R507 R708
30000475	RES SMD 1/10W 10K J 0805	PCS	7	R433 R524 R552 R572 R578 R594 R709
30000480	RES SMD 1/10W 100K J (0805)	PCS	2	R446 R586

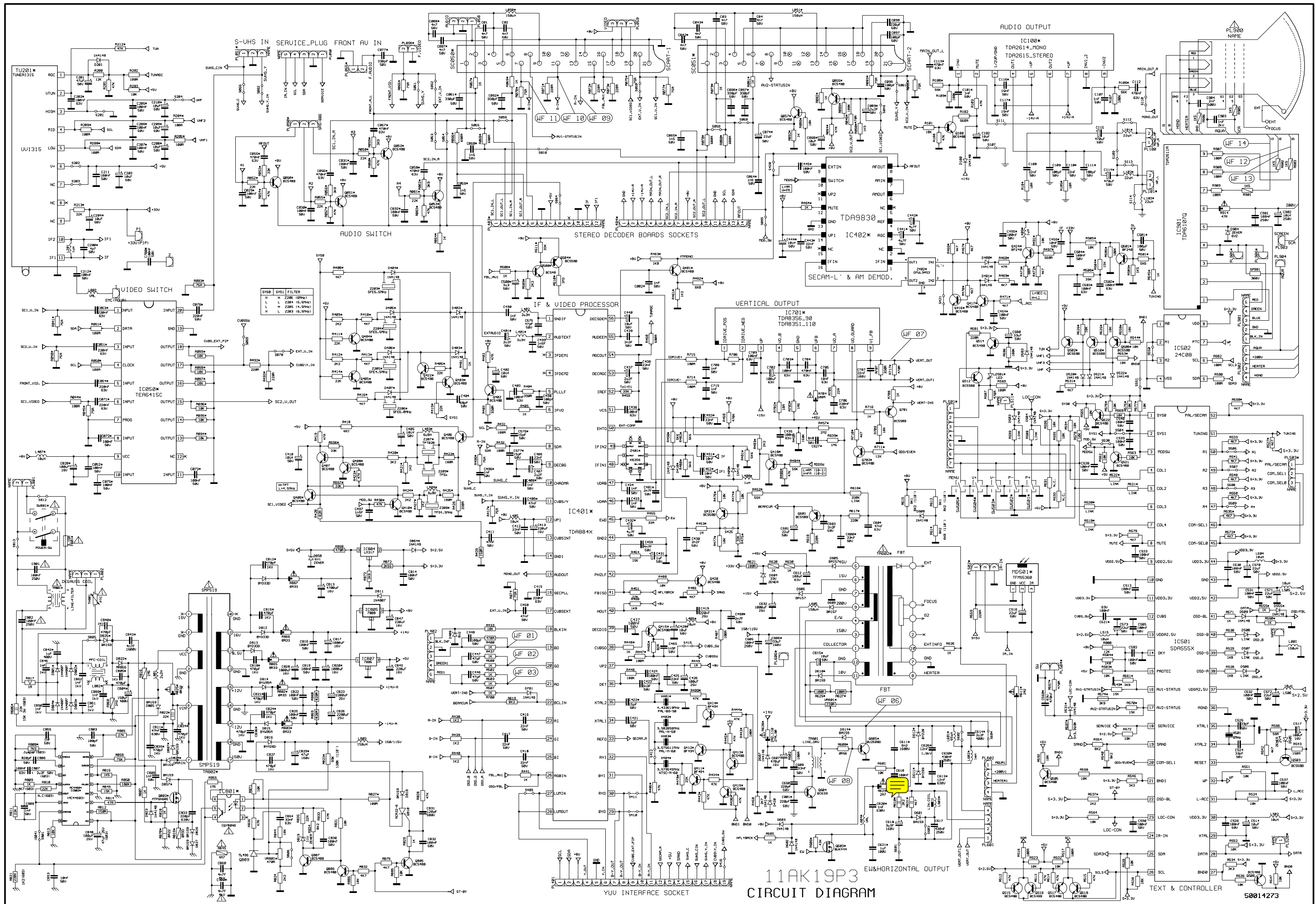
30000489	RES SMD 1/10W 1R J (0805)	PCS	1	R449
30000503	RES SMD 1/10W 12K J (0805)	PCS	1	R200
30000563	RES SMD 1/10W 1.8K J (0805)	PCS	1	R498
30000588	RES SMD 1/10W 220R J 0805	PCS	1	R618
30000606	RES SMD 1/10W 2.2M J	PCS	1	R457
30000631	RES SMD 1/10W 2.7K J 0805	PCS	1	R450
30000653	RES SMD 1/10W 33R J	PCS	1	R075
30000659	RES SMD 1/10W 330R J (0805)	PCS	2	R403 R426
30000688	RES SMD 1/10W 390R J (0805)	PCS	1	R404
30000697	RES SMD 1/10W 39K G	PCS	1	R459
30000710	RES SMD 1/10W 47R J (0805)	PCS	1	R419
30000717	RES SMD 1/10W 470R J (0805)	PCS	1	R400
30000721	RES SMD 1/10W 4.7K J	PCS	2	R486 R542
30000727	RES SMD 1/10W 47K J (0805)	PCS	1	R100
30000732	RES SMD 1/10W 470K J	PCS	1	R458
30000735	RES SMD 1/10W 4.7R J (0805)	PCS	1	R418
30000747	RES SMD 1/10W 560R J (0805)	PCS	1	R102
30001734	JUMPER SMD (0805)	PCS	16	J097 J195 J224 J233 J236 J258 J268 J279 J283 J289 J405 J406 S070 J275 J450 J400
70000067	GLUE SMD PANASONIC	GR	0.021	
20061356	MB.SMD.19P-PCB 110° WO/PFC 90-270/TEAC	PCS	1	
20061357	MB.RAD.19P-PCB 110° WO/PFC 90-270/TEAC	PCS	1	
20061358	MB.AXI.19P-PCB 110° WO/PFC 90-270/TEAC	PCS	1	
20061359	MB.SEQ.19P-PCB 110° WO/PFC 90-270/TEAC	PCS	1	
20061360	MB.JUM.19P-PCB 110° WO/PFC 90-270/TEAC	PCS	1	
30002583	KISA DEVRE TELİ 0.6MM	GR	2.924	S805 R802 R803 J803 J092 J231 J401 S538 J580 J581 J583 J584 J585 J586 J587 J588 J590 J591 J592 J820 J821 R865 R866 R867 J093 J094 J099 J300 J302 J144 J095 R519 R520 R521 R522 J810 D822 D824 D825 D857 J550 C114 C115
30000459	RES CF 1/4W 100R J	PCS	1	R569
30000466	RES CF 1/4W 1K J	PCS	2	R807 R571
30000471	RES CF 1/4W 10K J	PCS	5	R844 R831 R563 R562 R101
30000519	RES CF 1/4W 150R J	PCS	1	R812
30000560	RES CF 1/4W 1.8K J	PCS	3	R528 R529 R530
30000569	RES CF 1/4W 180K J	PCS	1	R850
30000580	RES CF 1/4W 22R J	PCS	1	R835
30000603	RES CF 1/2W 2.2M J (400V)	PCS	1	R860
30000633	RES CF 1/4W 27K J	PCS	1	R805
30000706	RES CF 1/4W 47R J	PCS	2	R836 R814
30000712	RES CF 1/4W 470R J	PCS	2	R587 R858
30000718	RES CF 1/4W 4.7K J	PCS	1	R879
30000815	RES CF 1/4W 8.2K J	PCS	1	R554
30001284	DIODE 1N4148	PCS	3	D823 D864 D583
30001318	DIODE BA159	PCS	2	D805 D807
30001349	DIODE ZENER 11V	PCS	1	D819
30001371	DIODE ZENER 5.1V ZPD	PCS	1	D858
30014288	PCB 11AK19P4	PCS	1	
30000074	CAP MKT 100NF 63V J	PCS	1	C807
30000289	CAP SMD 10NF 50V K R (0805)	PCS	1	C853
30000295	CAP CER 100NF 50V Z F	PCS	1	C830
30000342	CAP CER 820PF 50V K B	PCS	1	C806
30000371	CAP EL 22UF 50V M	PCS	3	C571 C572 C573
30000387	CAP EL 33UF 50V M	PCS	1	C580
30001454	TR BC548B	PCS	4	Q515 Q516 Q517 Q518
30001992	FIXED COIL 10UH Q65 K-A	PCS	3	L505 L506 L515
30007308	CAP CER 220PF 1KV K (PULSE)	PCS	1	C833
30009208	CAP CER 470PF 1KV K (PULSE)	PCS	1	C835

30000189	CAP SMD 100PF 50V J (0805)	PCS	1	C803
30000284	CAP SMD 1NF 50V K R (0805)	PCS	2	C808 C855
30000294	CAP SMD 100NF 50V K (0805)	PCS	6	C832 C531 C532 C590 C583
				C814
30000464	RES SMD 1/10W 100R J	PCS	2	R516 R517
30000469	RES SMD 1/10W 1K J 0805	PCS	2	R829 R809
30000475	RES SMD 1/10W 10K J 0805	PCS	11	R568 R565 R551 R583 R885
				R886 R523 R532 R813 R538
				R539
30000499	RES SMD 1/10W 1.2K J (0805)	PCS	3	R438 R439 R440
30000503	RES SMD 1/10W 12K J (0805)	PCS	1	R888
30000534	RES SMD 1/10W 15K J (0805)	PCS	1	R849
30000588	RES SMD 1/10W 220R J 0805	PCS	5	R581 R559 R070 R071 R072
30000593	RES SMD 1/10W 2.2K J (0805)	PCS	1	R537
30000597	RES SMD 1/10W 22K J	PCS	2	R810 R811
30000602	RES SMD 1/10W 220K J 0805	PCS	1	R821
30000710	RES SMD 1/10W 47R J (0805)	PCS	2	R103 R833
30000717	RES SMD 1/10W 470R J (0805)	PCS	1	R543
30000721	RES SMD 1/10W 4.7K J	PCS	7	R832 R579 R533 R573 R527
				R590 R541
30000727	RES SMD 1/10W 47K J (0805)	PCS	4	R512 R513 R514 R515
30000818	RES SMD 1/10W 8.2K J (0805)	PCS	1	R834
30001734	JUMPER SMD (0805)	PCS	6	J163 J197 S550 J589 S801
				J599
30007786	RES SMD 1/10W 2.55K F (0805)	PCS	1	R872
30010167	RES SMD 1/10W 56R J 0805	PCS	1	R566
30012412	DIODE ZENER 2.4V SMD	PCS	1	D505
30012852	RES SMD 1/10W 3.9K F (0805)	PCS	1	R873
20062947	MB.SMD.19P-W/EMC 110° 90-270V	PCS	1	
20062948	MB.RAD.19P-W/EMC 110° 90-270V	PCS	1	
30000074	CAP MKT 100NF 63V J	PCS	2	C116 C117
30000191	CAP CER 100PF 50V J SL	PCS	2	C212 C700
30000289	CAP SMD 10NF 50V K R (0805)	PCS	1	C095
30010964	FERRITE BEAT(805) BLM21A601RPT	PCS	1	L002
20065656	MB.SMD.19P-WO/CF-CTI	PCS	1	
20065657	MB.RAD.19P-WO/CF-CTI	PCS	1	
20065658	MB.AXI.19P-WO/CF-CTI	PCS	1	
20065659	MB.SEQ.19P-WO/CF-CTI	PCS	1	
20065660	MB.JUM.19P-WO/CF-CTI	PCS	1	
30002583	KISA DEVRE TELİ 0.6MM	GR	0.068	S062
20065683	MB.SMD.19P-W/CF110°-WO/CTI+CF veyaWO/PIP	PCS	1	
30001734	JUMPER SMD (0805)	PCS	3	S409 S410 S411
20066727	M.ASSY.19P-MAN 15G@2B241X3XX4	PCS	1	
20008751	HE.ASY.19-HOR&VER BAV/EXT.110°	PCS	1	
20003607	BRACKET HEATSINK BACK AV AK19 (I)	PCS	1	
60000003	ABS BLACK	KG	0.001	
30001441	TR BU2508AF	PCS	1	Q605
30002736	IC TDA 8351/N6	PCS	1	IC701
35000015	SPRING TR.HOLDER (BIG)	PCS	1	
35000119	HEATSINK 19-HOR&VER BACKAV	PCS	1	
35000158	NUT C ZN BOTTOM M3	PCS	1	
35000165	RONDELA C ZNSY 3*6*04 (M3)	PCS	1	
35000183	VİDA C ZN YSMB M3*12	PCS	1	
50001756	LABEL 19-HOR&VER 110ø	PCS	1	
20020555	MB.MAN.19B-STR WO/DOLBY	PCS	1	
20000956	HE.ASY.19-REG&STR WO/DL	PCS	1	
30001500	IC LM7808	PCS	1	IC805
30001525	IC TDA2615	PCS	1	
30001622	IC 7805 (1A)	PCS	1	IC807
35000158	NUT C ZN BOTTOM M3	PCS	3	
35000165	RONDELA C ZNSY 3*6*04 (M3)	PCS	3	
35000181	VİDA C ZN YSMB M3*8	PCS	1	
35000183	VİDA C ZN YSMB M3*12	PCS	2	
35001647	HEATSINK REG.&AUDIO (AK19,SATELLITE TV)	PCS	1	

4000020	TR HOLDER TR-06A	PCS	2	
40000146	INSULATOR SILICON PAD (15*20)	PCS	2	
50001759	LABEL 19-REG STEREO	PCS	1	
30000383	CAP EL 2200UF 25V M	PCS	2	C823 C826
40000101	SPACER SUPPORT AK19 STR®	PCS	1	
20020844	MB.MAN.19B-BAV OUT WO/BTSC	PCS	1	
30001835	CONN MALE 3P TOP WHITE	PCS	1	PL058
30001837	CONN MALE 3P TOP BLUE	PCS	1	PL059
35000194	VİDA S C ZN YSMB 2.9*9.5	PCS	2	
20043866	MB.MAN.19P-28"16:9 SIZE TEAC	PCS	1	
20000954	HE.ASY.19-CRT BOARD	PCS	1	IC901
30008721	IC TDA6108	PCS	1	
35000114	HEATSINK 19-CRT BOARD	PCS	1	
35000158	NUT C ZN BOTTOM M3	PCS	1	
35000165	RONDELA C ZNSY 3*6*04 (M3)	PCS	1	
35000189	VİDA C NI YSMB M3*6	PCS	1	
20000963	HE.ASY.19-E/W 110°	PCS	1	Q603
30001429	TR BUK444-200A	PCS	1	
35000115	HEATSINK 19-E/W	PCS	1	
35000158	NUT C ZN BOTTOM M3	PCS	1	
35000165	RONDELA C ZNSY 3*6*04 (M3)	PCS	1	
35000182	SCREW C ZN YSMB M3*10	PCS	1	
20027095	MD.ASY.19-11DCP01 (DUAL CASE PTC) KARTI	PCS	1	TH801
30000076	CAP MKT 100NF 275V M AC	PCS	1	CX61
30001268	THERMISTOR 3P	PCS	1	TH201
30001795	CONN.MALE 3P (DEG)	PCS	1	PL201
30001912	PIN F 5P/2.5MM (11.5MM)	PCS	1	PL202
30009315	PCB 11DCP01	PCS	1	
60000047	CCL 1220*1020*1.6 FR2 V0 351	M2	0.001	
20040331	CN.ASY.19-RES MO 180R 4W J (SERİ 2 ADET)	PCS	1	R631
30001113	RES MO 180R 4W J	PCS	2	
30000075	CAP MKT 100NF 250V K (DC)	PCS	1	C901
30000084	CAP MKT 150NF 275V M AC P=15	PCS	2	C802 C801
30000350	CAP EL 10UF 250V M	PCS	1	C902
30000406	CAP EL 47UF 250V M (HR)	PCS	2	C606 C829
30001064	RES ADJ 470R 0.1W VER (MAN)	PCS	1	VR801
30001320	DIODE GUC BY228	PCS	1	D612
30001964	FERRITE BAR 5*8	PCS	2	
30002031	FIXED COIL INJECTION 15MH	PCS	1	L604
30002156	LIN.COIL 30UH 110' (AK19)	PCS	1	L603
30002170	COIL FTZ/RAD	PCS	1	PL904
30002583	KISA DEVRE TELİ 0.6MM	GR	0.068	PL802
30002876	CABLE ASSY 1/25 AK19 EMC	PCS	1	
30007681	DIODE UF5407	PCS	1	D816
30007838	DIODE BY299 (BIG CASE)	PCS	1	D611
30013513	CABLE 4/45 FC (FLAMAN) (W/CABLE HOLDER)	PCS	1	
35000135	TEST PIN 1.1MM	PCS	1	PL903
20044122	MB.MAN.19P-SMPS 90-270V 28-32" 16:9	PCS	1	
20000849	FUSE ASSY.TK79-A (3.15A)	PCS	1	F801
30001732	FUSE 3.15A 250V 5*20	PCS	1	
35000138	FUSE HOLDER TK79A (BLACK)	PCS	1	
20000965	HE.ASY.19-SMPS 110° 90-270V	PCS	1	Q802
30001388	TR MTW8N60E	PCS	1	
35000015	SPRING TR.HOLDER (BIG)	PCS	1	
35000117	HEATSINK 19-PRIMER 110'	PCS	1	
40000145	INSULATOR SILICON PAD(20*30MM)	PCS	1	
20051438	HE.ASY.19P-REG(2)	PCS	1	IC804
30001668	IC LM317T	PCS	1	
35000105	HEATSINK 16/19-REGULATOR(2)	PCS	1	
35000158	NUT C ZN BOTTOM M3	PCS	1	
35000165	RONDELA C ZNSY 3*6*04 (M3)	PCS	1	
35000181	VİDA C ZN YSMB M3*8	PCS	1	
30000422	CAP EL 330UF 400V M	PCS	1	C804
30001129	RES MO 22K 3W J	PCS	1	R806

30001129	RES MO 22K 3W J	PCS	1	R822
30001159	RES MO 1W 0.33R J	PCS	2	R819 R870
30001261	RES WW 7W 2R2	PCS	1	R817
30001288	DIODE BYV27-200	PCS	1	D813
30001305	DIODE BYM56E	PCS	4	D801 D802 D803 D804
30001307	DIODE BYW95A	PCS	2	D814 D815
30001499	IC MC44604P	PCS	1	IC802
30002081	TRF SMPS AK19 110° (90-270V)	PCS	1	TR802
30002104	LINE FILTER 2X22MH (AK16)	PCS	1	TR801
30007069	IC TCDT1102G	PCS	1	IC801
20044412	MB.MAN.19P-PSBG GER+NI PLL 110°	PCS	1	
30001579	IC TDA8844/N2	PCS	1	IC401
30001692	FILTER SAW OFWK3953M	PCS	1	Z401
30001745	XTAL 3.579545	PCS	1	X404
30001748	XTAL 4.433619 MHZ	PCS	1	X401
30001808	CONN.MALE 12P MOLEX	PCS	1	PL403
30001810	CONN.MALE 14P MOLEX	PCS	1	PL404
20044984	MB.MAN.19P-CABINET 110° W/TUNER	PCS	1	
30001770	CONN.MALE 3P (2003) GRAY	PCS	1	PL502
30001785	CONN.MALE 7P (2007)	PCS	1	PL501
20045037	MB.MAN.19P-PLL NORMAL (IHRAC)	PCS	1	
30009637	TUNER WSP (PLL) 38.9 MK2 - BATCH	PCS	1	TU201
20055215	MB.MAN.19P-WO/TXT-1P/TXT-8P/TXT V2.TEAC	PCS	1	
20055268	PR.IC.19P-55XX VER 2 TEAC,NEW ZEALLAND	PCS	1	
30011957	IC SDA55XX FLASH	PCS	1	
30001862	SOCKET IC 52P (SHRINK)	PCS	1	
30006662	XTAL 6MHZ	PCS	1	X501
30009846	CABLE 0.6MM BLUE (4CM)	PCS	1	CAB820
20056661	MB.MAN.19P-W/EMC 25-28-28"16:9	PCS	1	
30007728	CABLE 1P R2.6 50 W/CLIPS	PCS	1	CAB212
30009849	CABLE 0.6MM BLUE (7CM)	PCS	1	CAB433
30009850	CABLE 1P R2.6 (6CM)	PCS	1	CAB200
30009851	CABLE 1P R2.6 (35CM)	PCS	1	CAB700
20059896	MB.MAN.19P-2SC STR FAV+SVHS 110°	PCS	1	
30001619	IC TEA6415C	PCS	1	IC050
30001764	CONN.MALE (2052) BLACK	PCS	1	PL101
30001830	CONN MALE 2P TOP BLUE	PCS	1	PL056
30001838	CONN MALE 3P TOP YELLOW	PCS	1	PL051
30001865	SOCKET SCART (R)	PCS	2	SC050 SC051
30009846	CABLE 0.6MM BLUE (4CM)	PCS	1	U-A
20060363	MB.MAN.19P-COMMON	PCS	1	
20003606	BRACKET HEATSINK (AUDIO-HOR)	PCS	1	
60000003	ABS BLACK	KG	0.006	
30000075	CAP MKT 100NF 250V K (DC)	PCS	1	C605
30000161	CAP MKP 47NF 630V J	PCS	1	C811
30000356	CAP EL 100UF 63V M	PCS	2	C612 C702
30000359	CAP EL 1000UF 16V M	PCS	2	C817 C828
30000360	CAP EL 1000UF 25V M	PCS	1	C632
30000402	CAP EL 47UF 100V M	PCS	1	C704
30000411	CAP EL 4700UF 16V M	PCS	1	C813
30000447	CAP CER 4.7NF 4KV M E	PCS	1	C860
30001384	TR MCR22-6	PCS	1	Q810
30001762	CONN.MALE 2P (2052) GRAY	PCS	1	PL100
30001783	CONN.MALE 5P (2005)	PCS	1	PL050
30001792	CONN.MALE 2P MOLEX	PCS	1	PL801
30001827	HRZ VRT CONN.(4P)	PCS	1	PL601
30001999	FIXED COIL 40UH (LOSS COIL)	PCS	1	L605
30002011	COIL CHOKE 150UH 0.82A RAD	PCS	1	L803
30002090	LINE DRIVER NEW TYPE	PCS	1	TR601
30007759	RES CF 1W 47K J	PCS	1	R828
30009829	CABLE 1P R2.6 (8CM)	PCS	1	CAB111
30009832	CABLE 0.6MM BLUE (13CM)	PCS	1	A-A
70000029	SOLDER (INGOT) 63/37	KG	0.028	
70000030	SOLDER WIRE 60/40	KG	0.002	

20065644	MB.MAN.19P-FTZ	PCS	1
35000058	SHIELD AK19 SIDE	PCS	1
35000059	SHIELD AK19 (TOP)	PCS	1
35000061	SHIELD AK19 (BOTTOM W/PVC)	PCS	1
20066802	BASE 7289/99-2850/1W(UL)(I)W/CHS.FR AK19	PCS	1
20004005	CHASSIS FRAME AK19 (110°)	PCS	1
60000003	ABS BLACK	KG	0.05
60000009	FR-HIPS NATR.V-0	KG	1
60000022	MASTERBATCH (BLACK)	KG	0.01
20066803	BACK C.7289/99-2850/51W(UL)SILVER(P)AK19	PCS	1
20066804	BACK C.7289/99-2850/1W(UL) L.GRAY(I)AK19	PCS	1
60000009	FR-HIPS NATR.V-0	KG	2.652
60000515	MASTERBATCH LIGHT GRAY	GR	13
60000072	PAINT SILVER 022-6485	KG	0.07
70000038	THINNER FUME DEOCRYL(986.0809)	KG	0.07
20066805	FRONT 2850-W W/H (UL)SILVER (P)	PCS	1
20066806	FRONT 2850-W W/H (UL) L.GRAY (I)	PCS	1
60000009	FR-HIPS NATR.V-0	KG	1.701
60000515	MASTERBATCH LIGHT GRAY	GR	9
60000072	PAINT SILVER 022-6485	KG	0.07
70000038	THINNER FUME DEOCRYL(986.0809)	KG	0.07
20066807	LBL.BCK.CVR.TEAC CTW2850S "P"	PCS	1
20013018	LBL.BCK.CVR.ASSY (TV) (WO/UL)	PCS	1
50004065	LABEL LOT W/BARCODE (3)	PCS	1.05
70000321	RIBBON T13506 ZA 110MM*335MM	PCS	1.05
20066808	F CARTON BOX TEAC CTW2850S (SILVER)	PCS	1
50006060	CARTON BOX 7289/99 16:9 CR&W/TV EMPTY	PCS	1
50018916	CARTON BOX TEAC CTW2850S (SILVER)	PCS	1
20066809	ARTWORK TEAC CTW2850S (SILVER)	PCS	1
20068032	R/C 2042 TEAC RC-827(S) (SILVER/P)	PCS	1
30009319	R/C 2042 NOBRAND (S) (SILVER/P)	PCS	1
30002391	BATTERY AAA UM4 1.5V GREEN	PCS	2
50016146	WARRANTY CARD TEAC (ENG) (2)	PCS	1
50018917	I/B TEAC CTW2850S PLL/55XX/2042/ENG	PCS	1
30015061	28" CPT TUP 16:9 SF IRON (WW)	PCS	1
40001939	LOGO TEAC (BIG)(GRAY W/P)	PCS	1
50000007	PLASTIZOTE (1400*1000)	PCS	2
50016128	LBL.SERVICE TEAC (3)	PCS	1
50018915	LBL.SCREEN TEAC CTW2850S	PCS	1



11AK19P3
CIRCUIT DIAGRAM